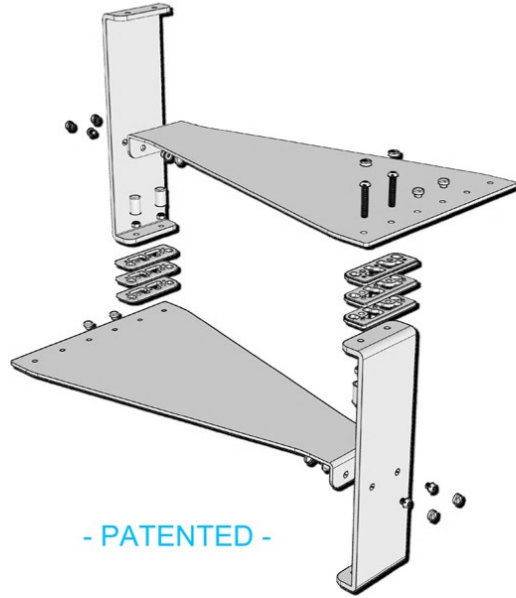
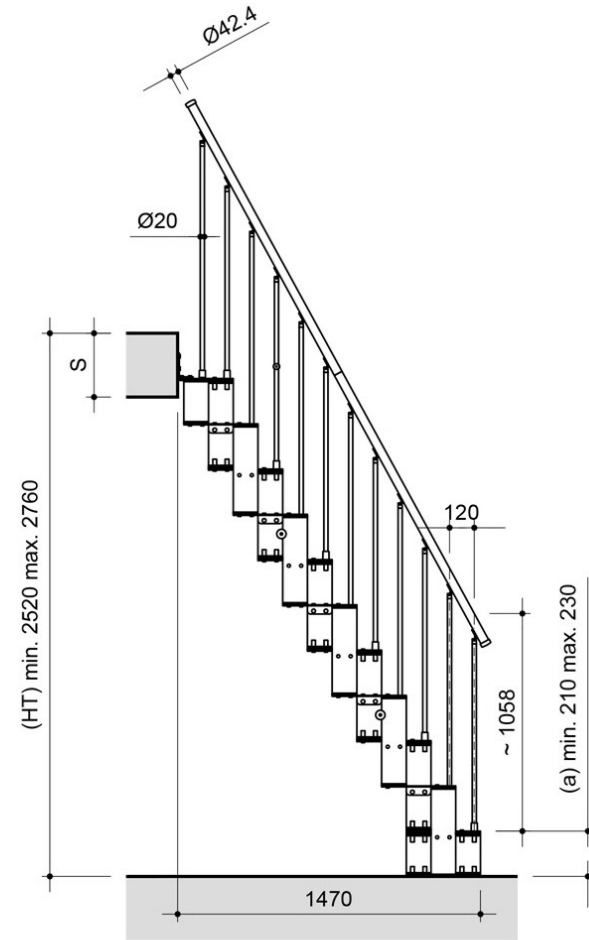
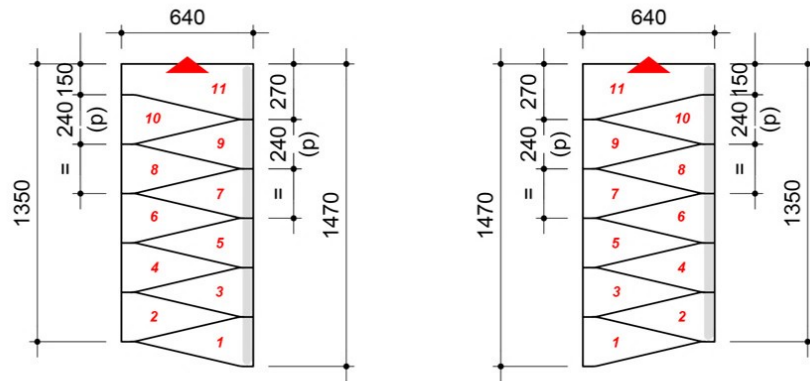


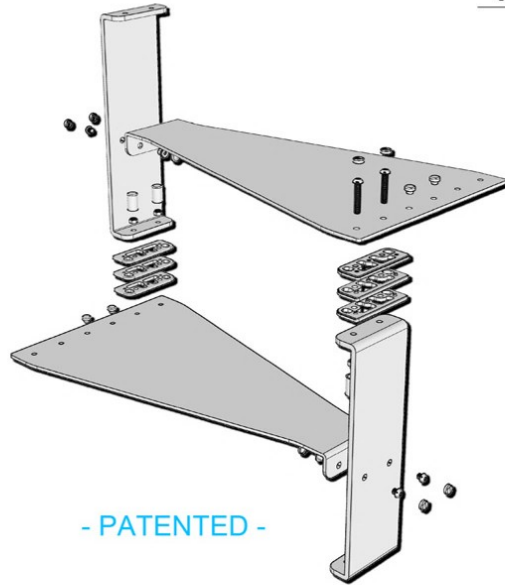
# KIT-T20 11



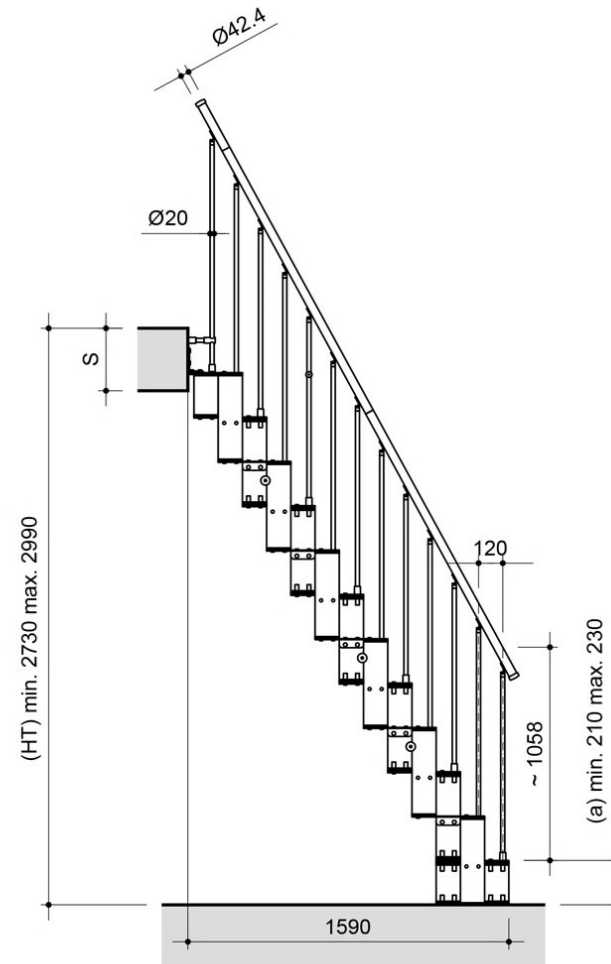
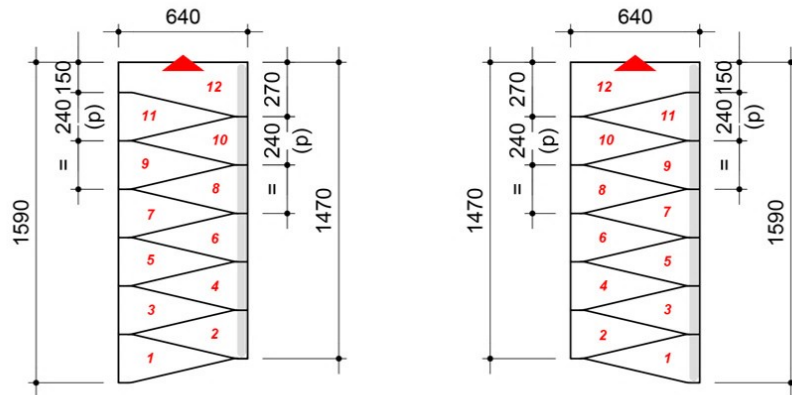
- PATENTED -



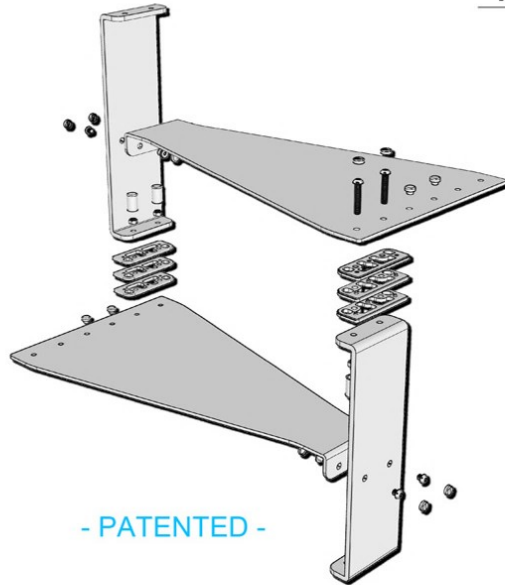
KIT-T20 12



- PATENTED -



KIT-T20 13



- PATENTED -

