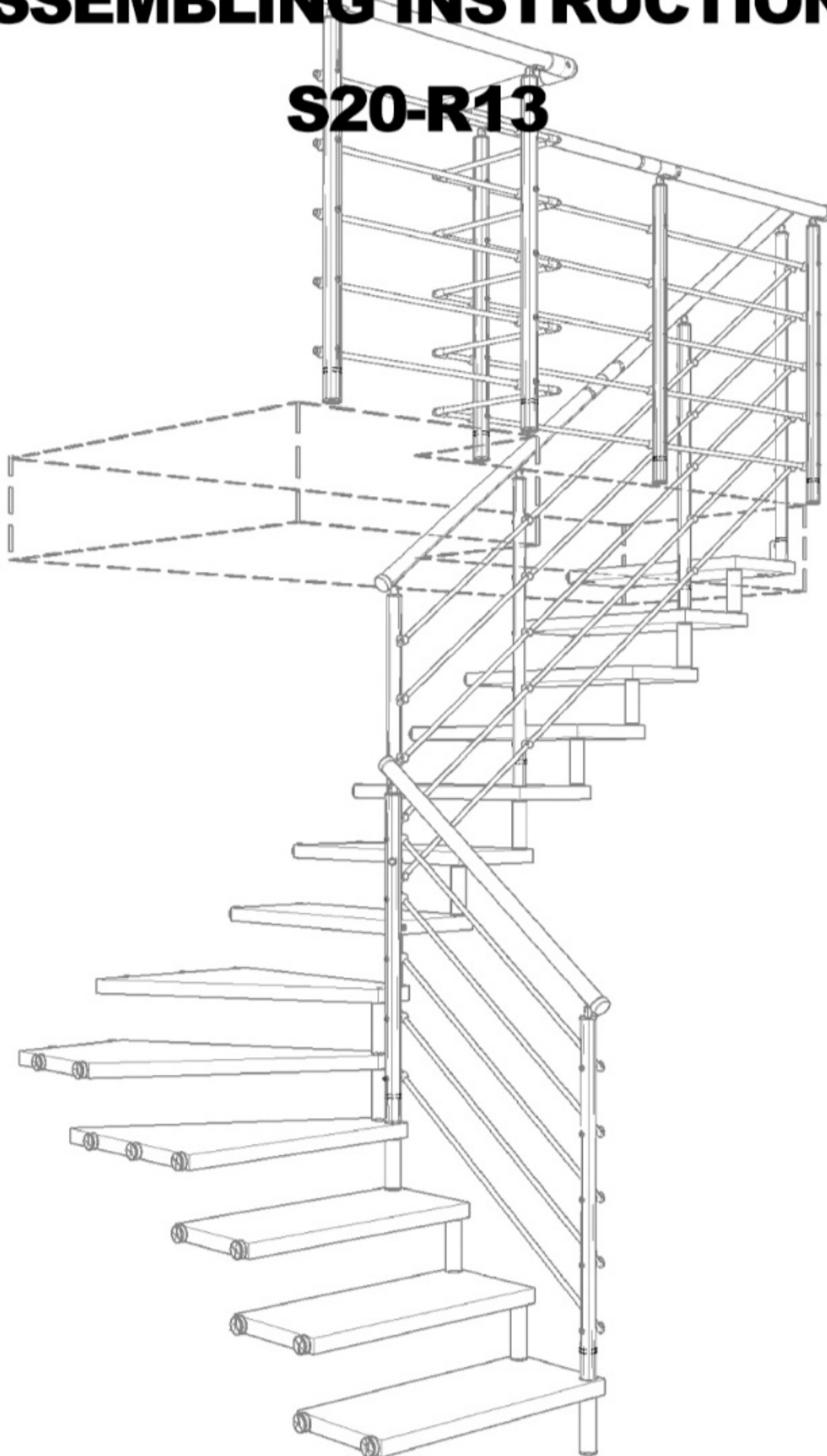


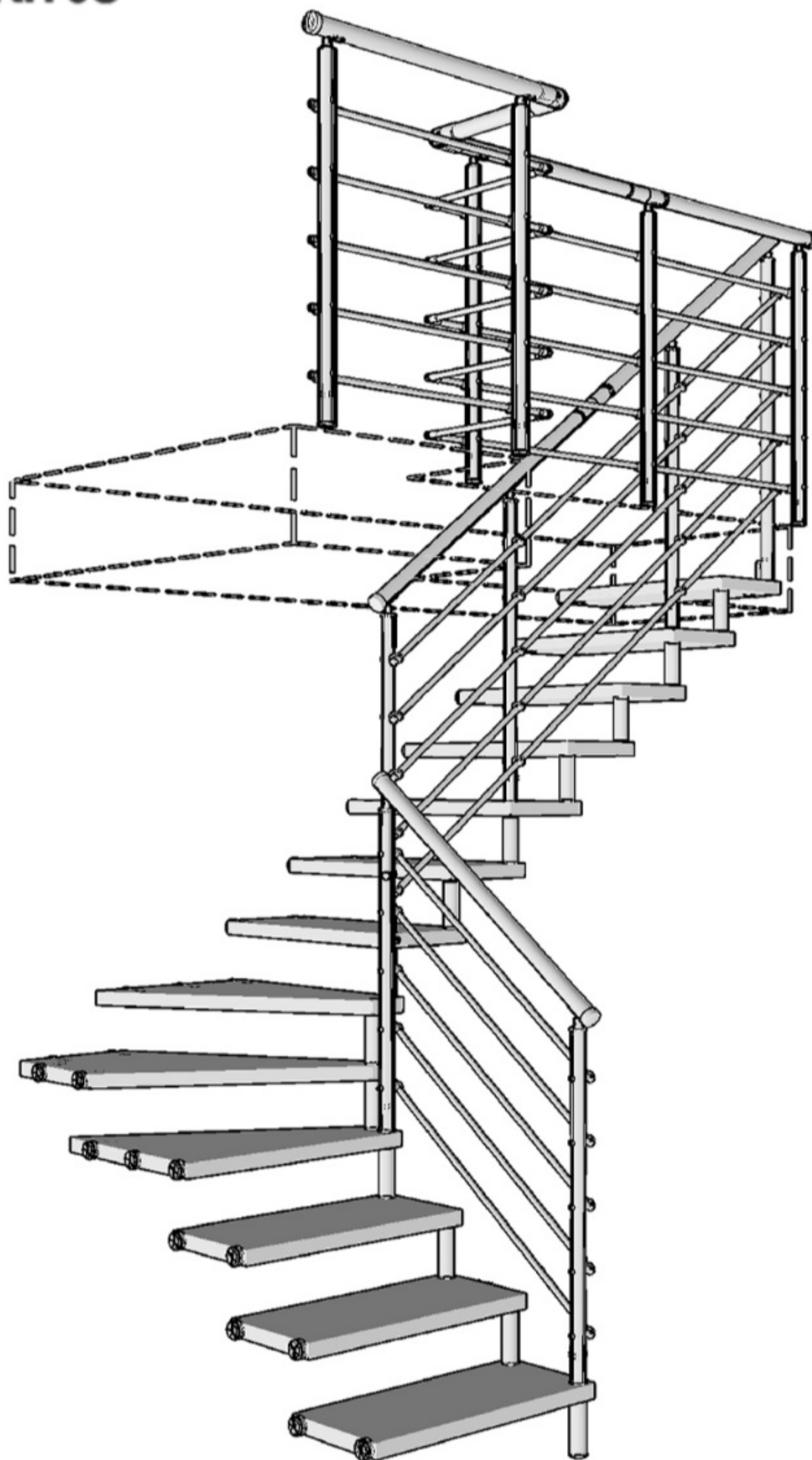
# ASSEMBLING INSTRUCTIONS

## S20-R13

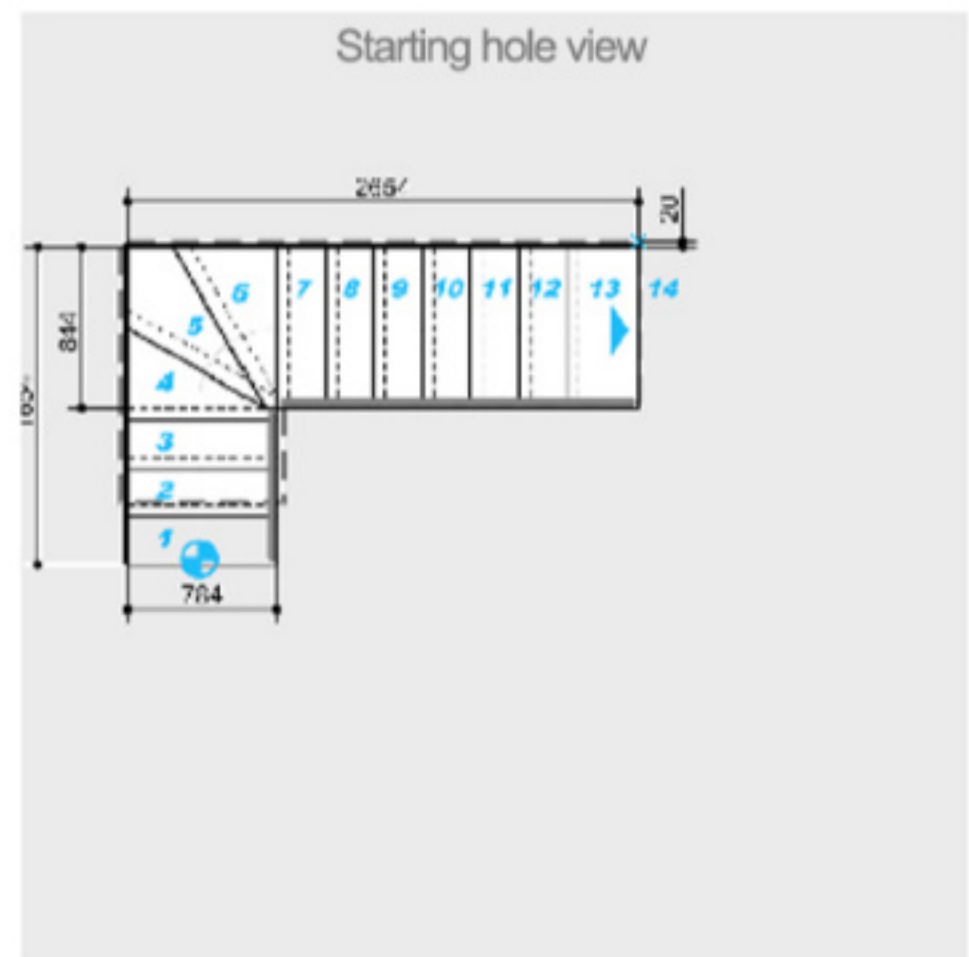
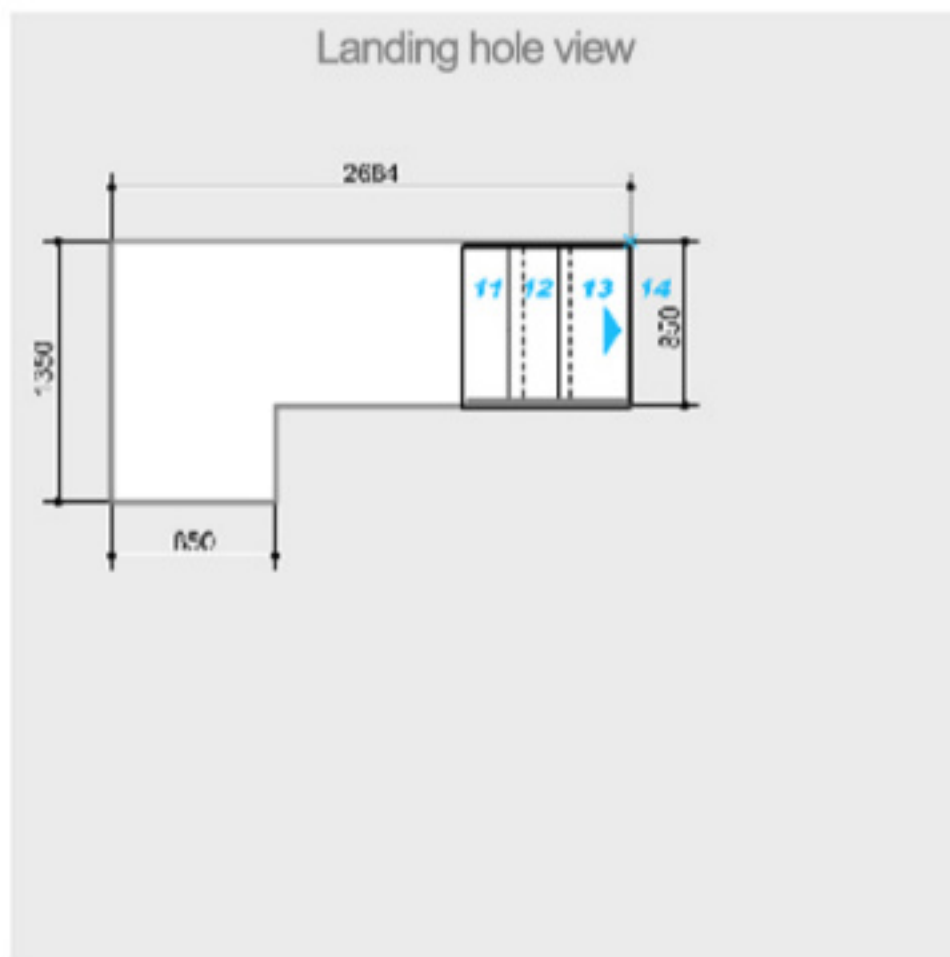
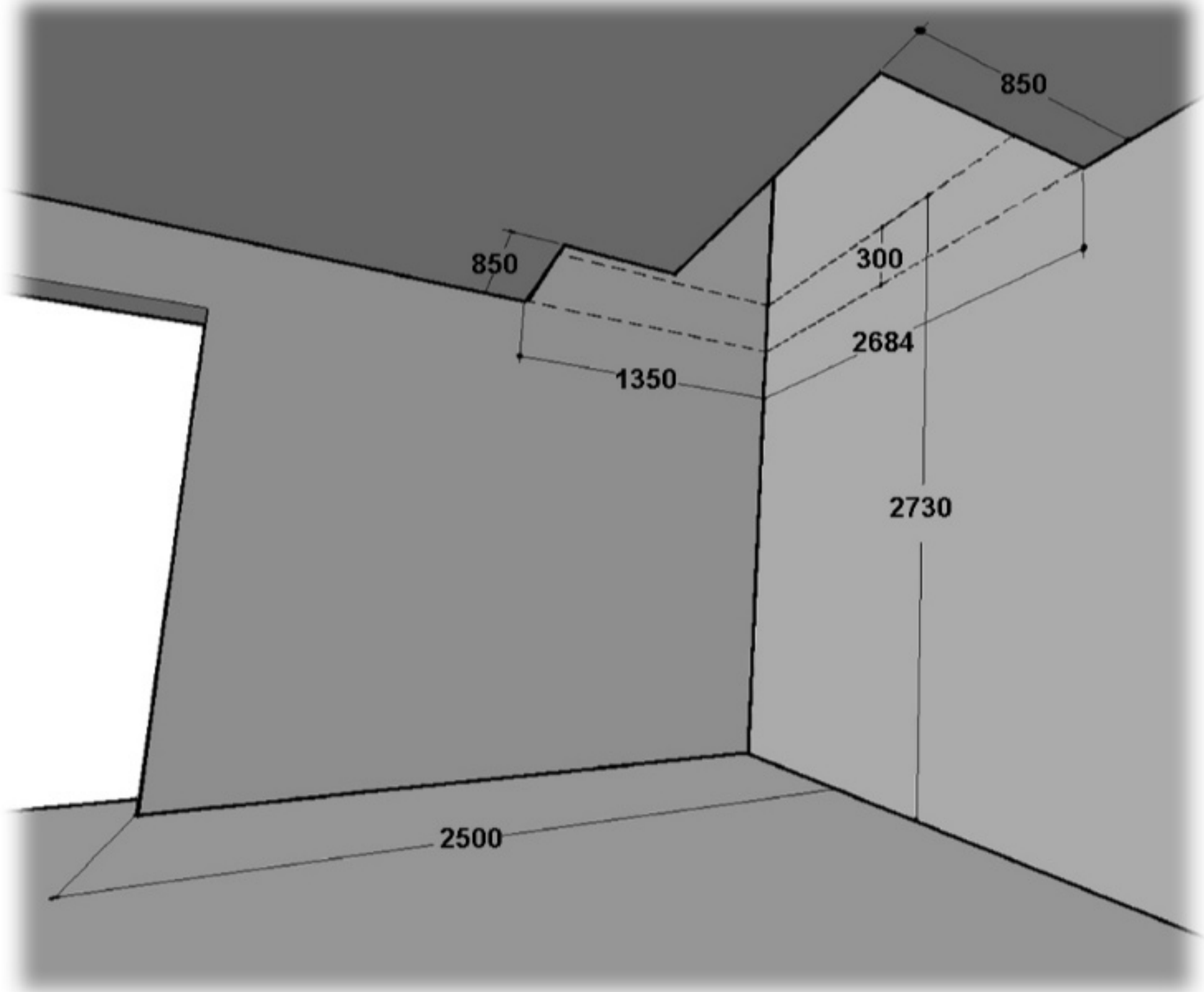


**- ENGLISH -**



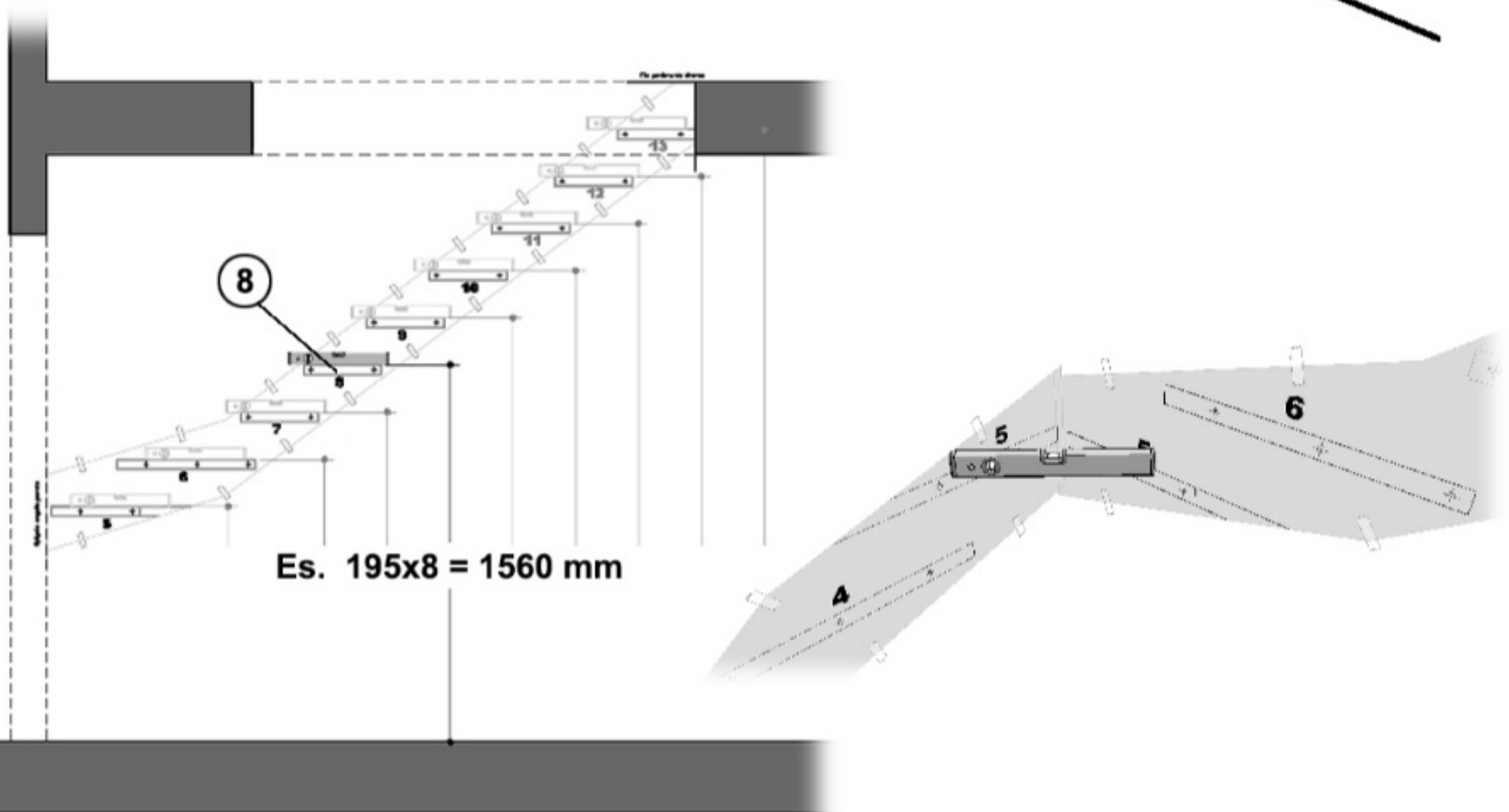
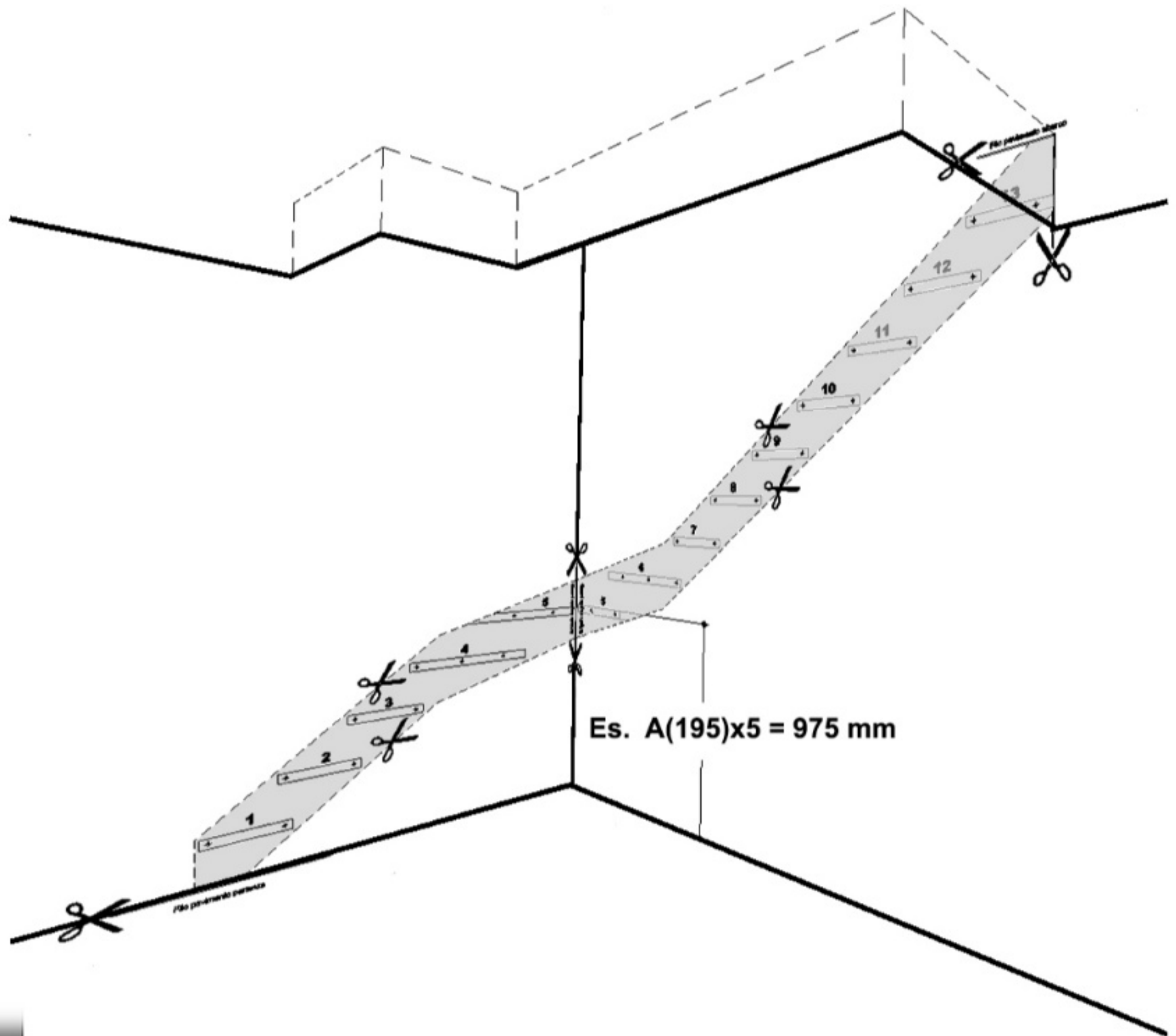


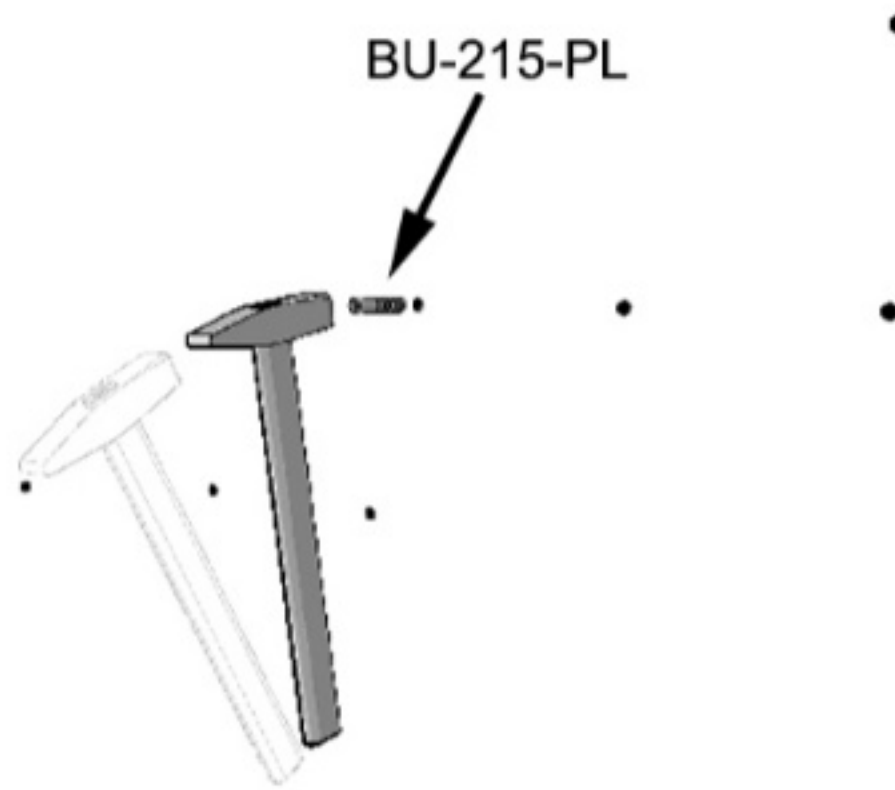
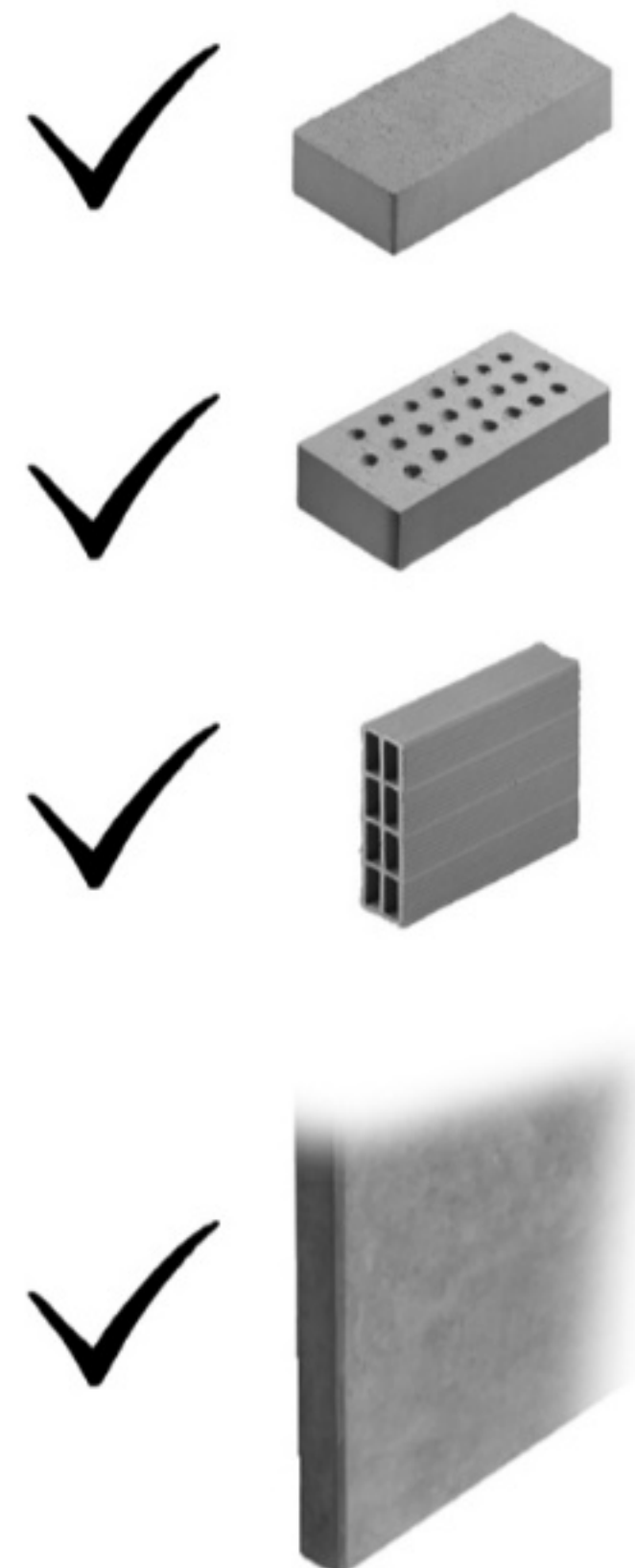
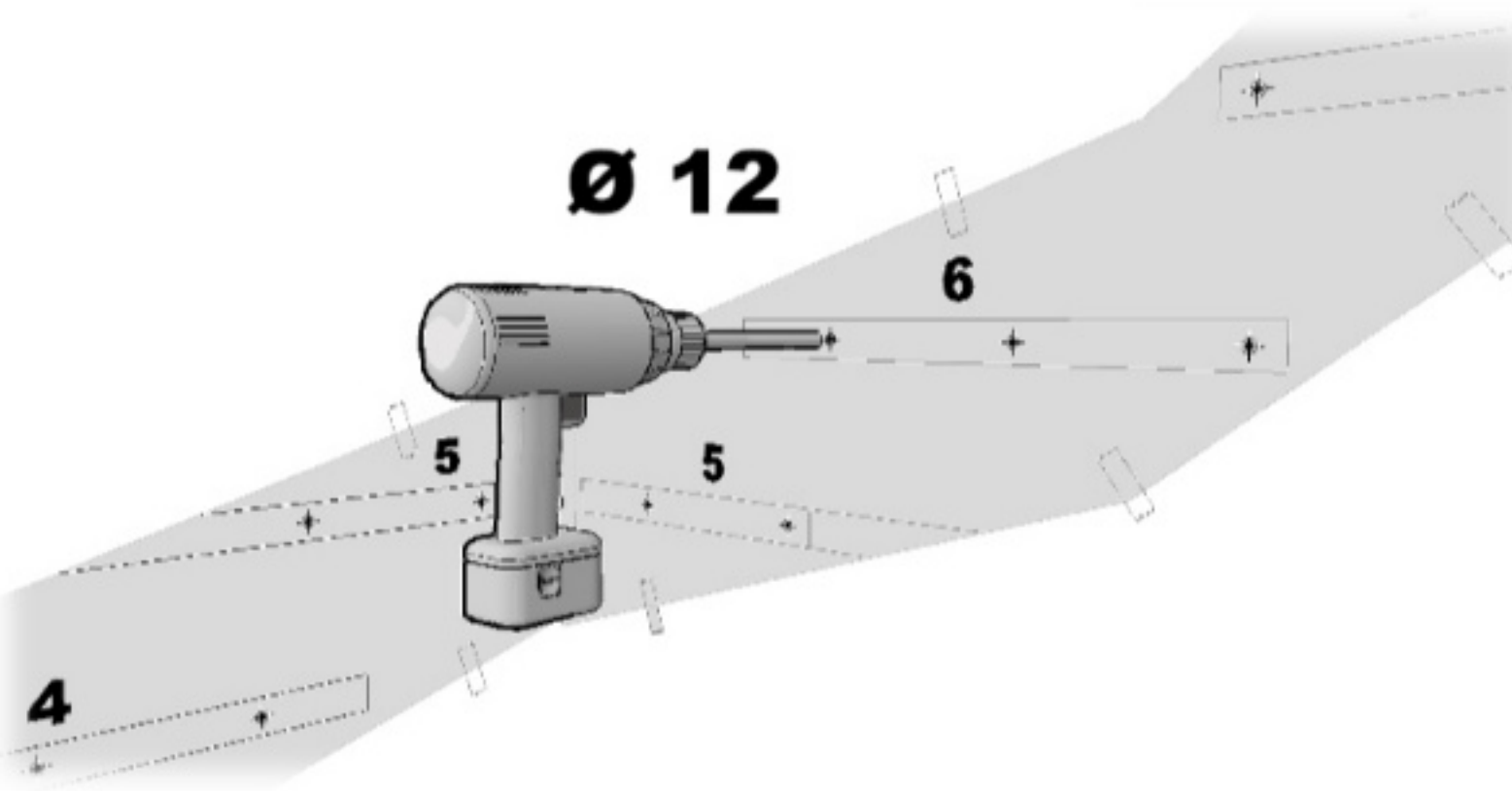
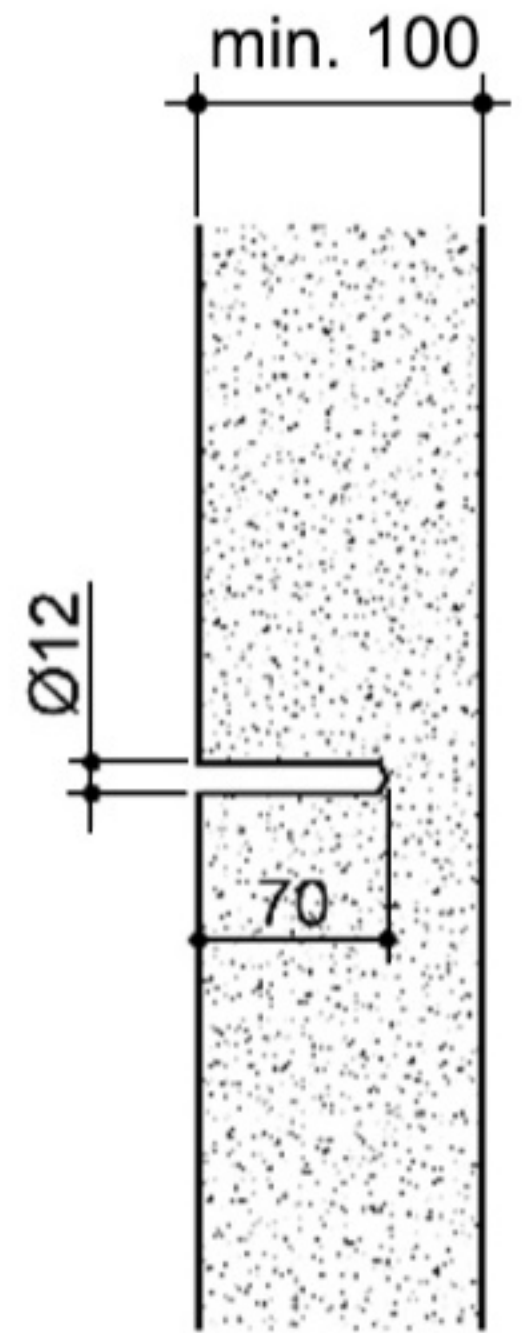
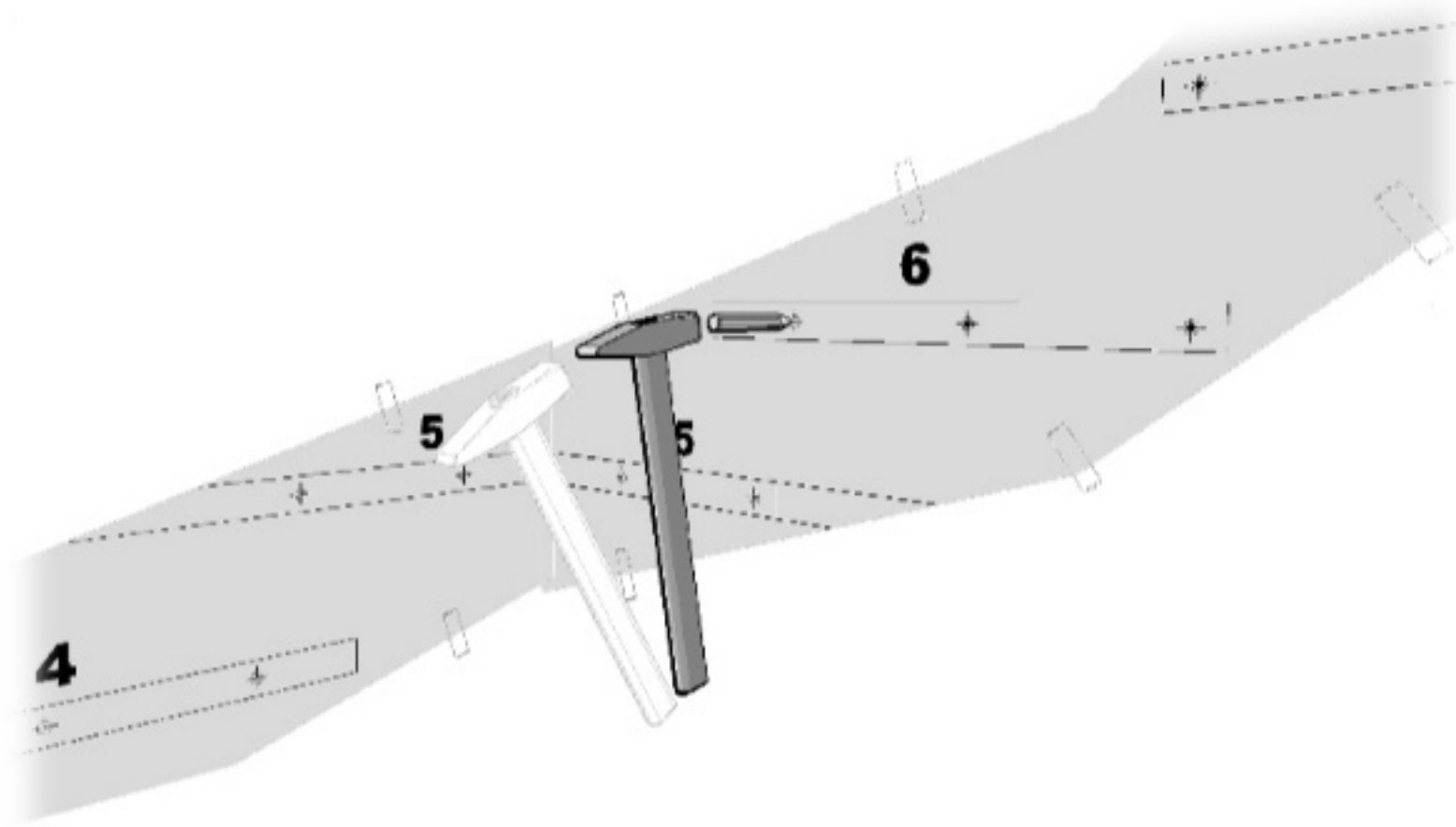
**N.B: All measurements and numerical values are in mm**

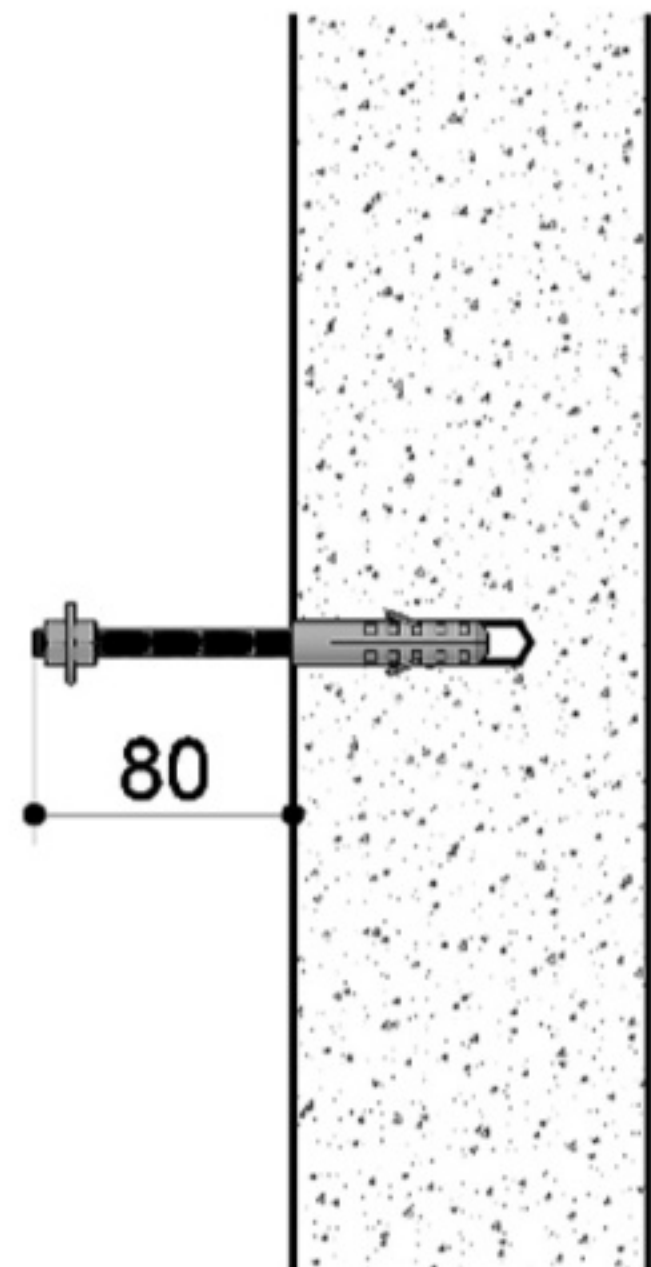
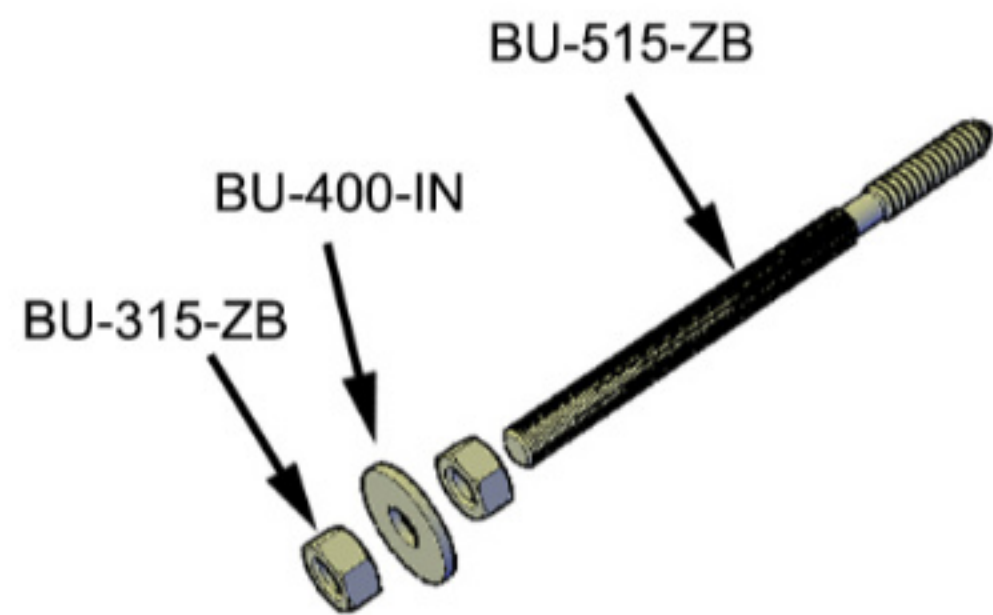
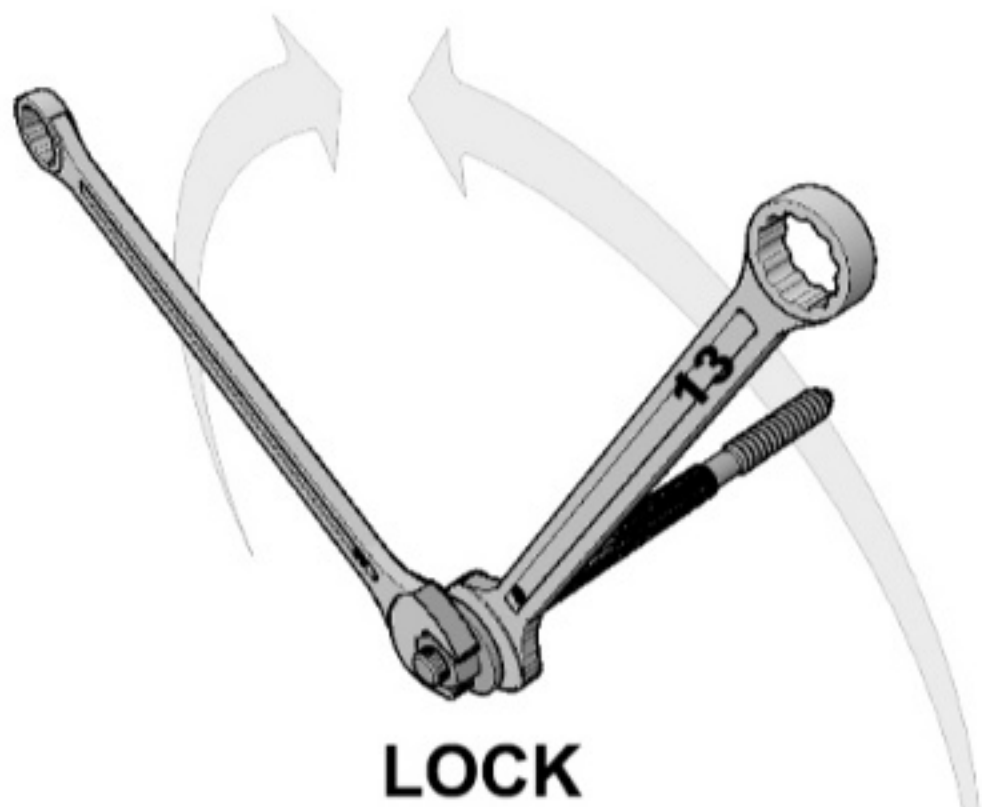


Total height	2730
Average riser	195
Slab thickness	300
Landing	Below slab
Flight tread	250
Flight width	784 - 844
Total balustrade	3,20 m

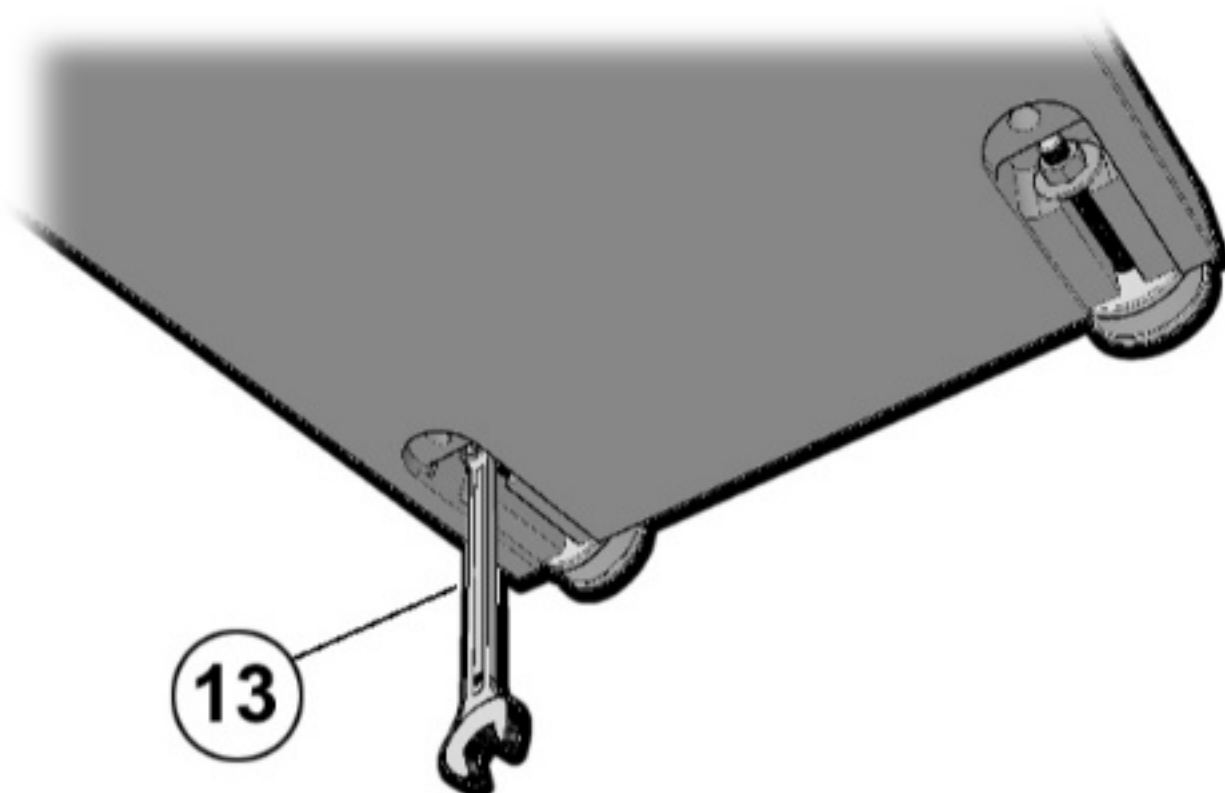
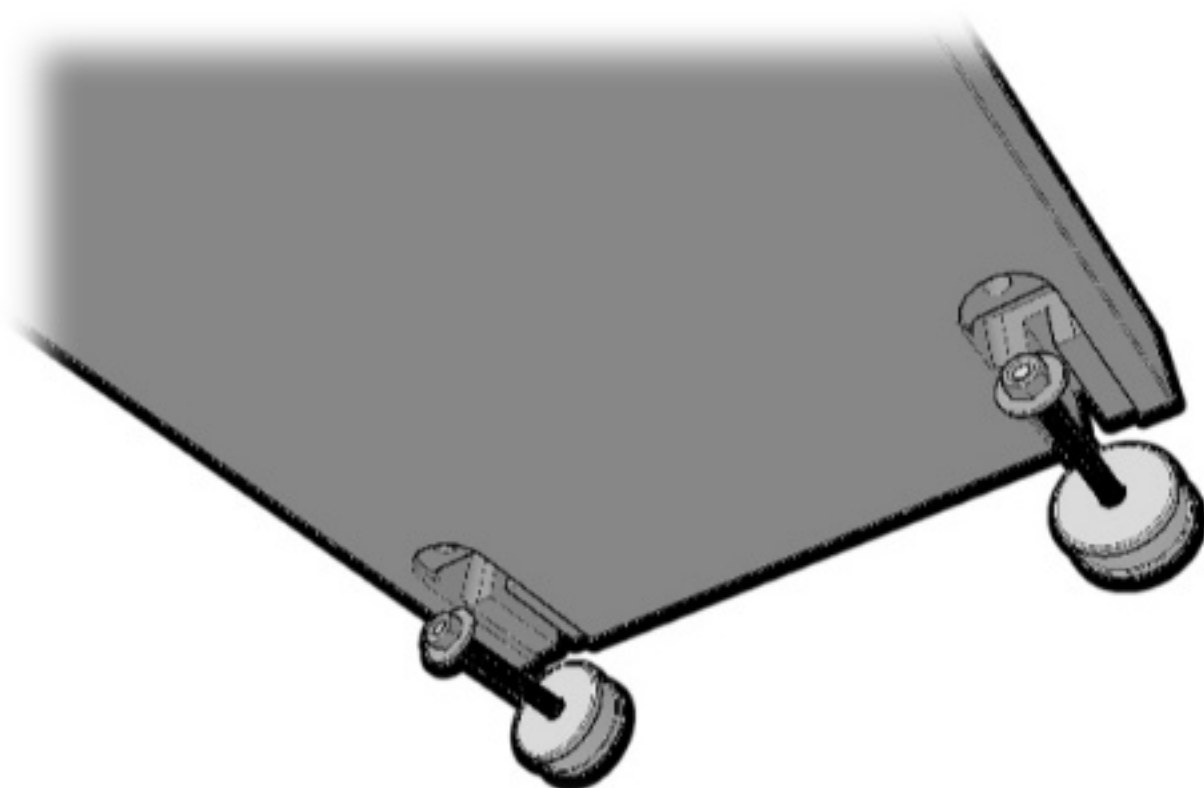
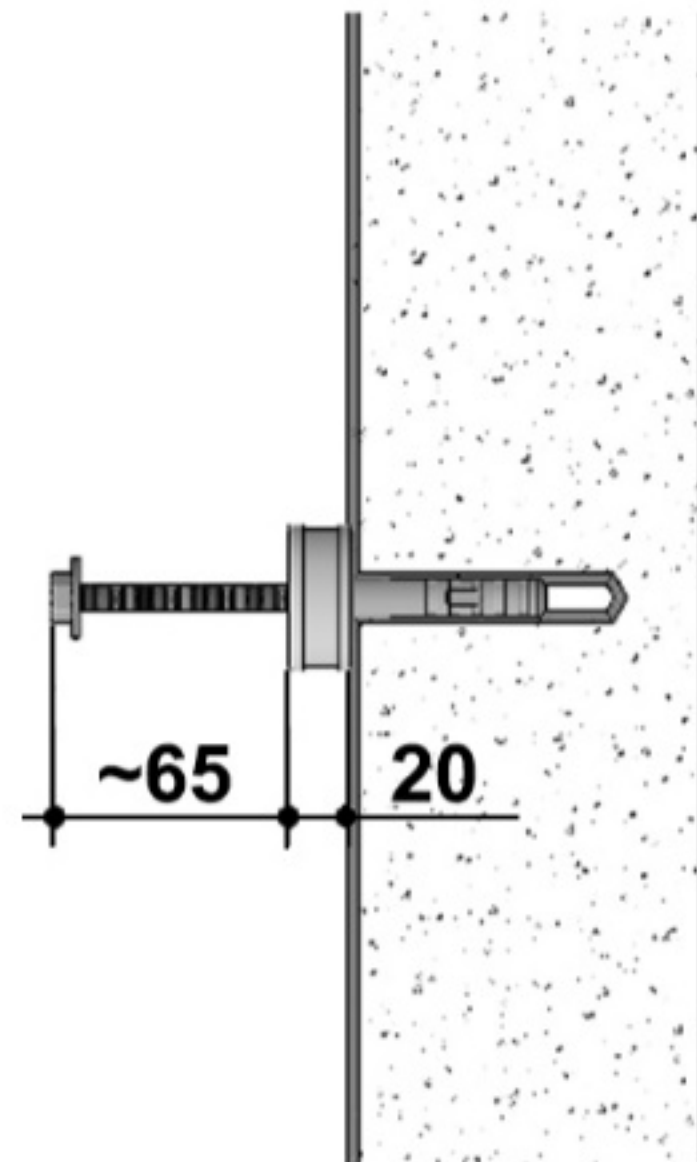
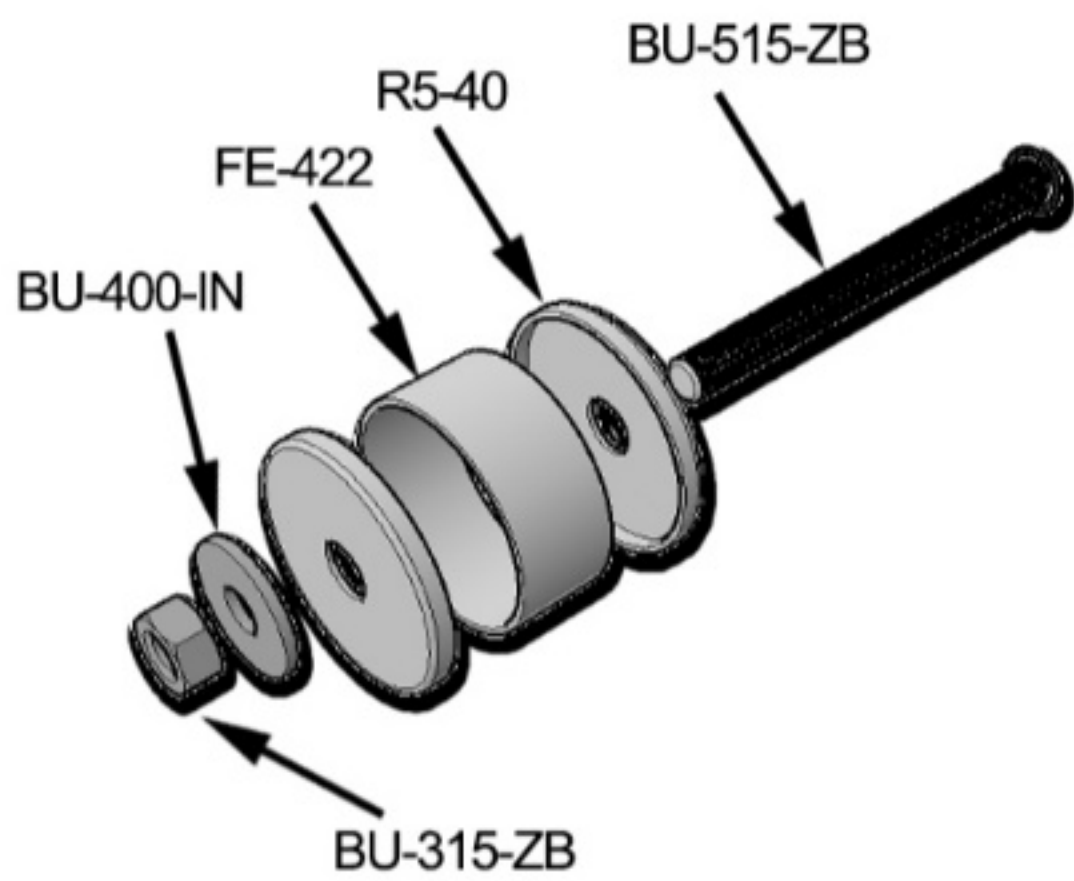
Railing / Balustrade mod.	R13 Metal handrail
Wood finish	Oak
Metal and plastic colour	White coated powder
Wood	Beech
Metal	Steel S235JREN10027/2

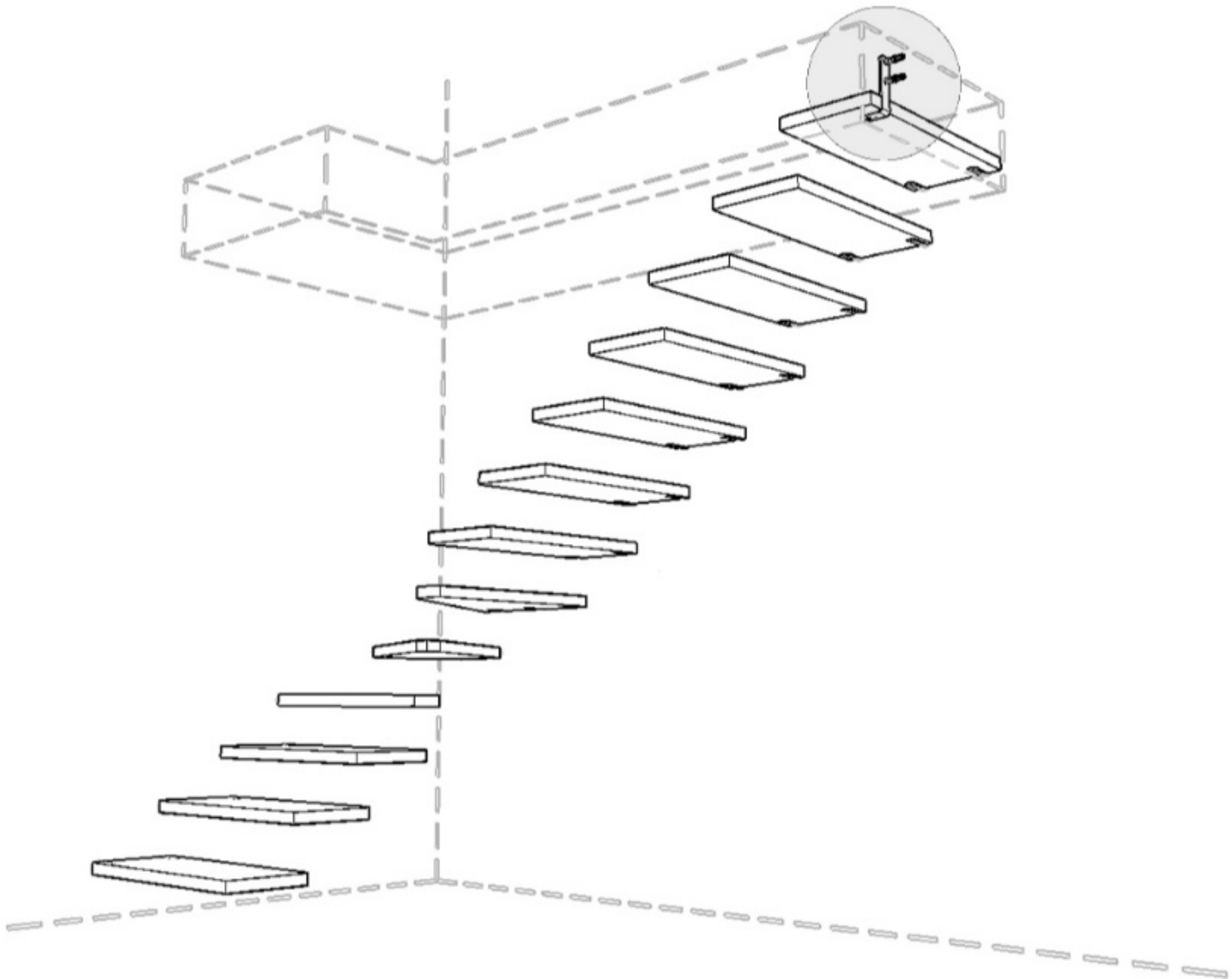
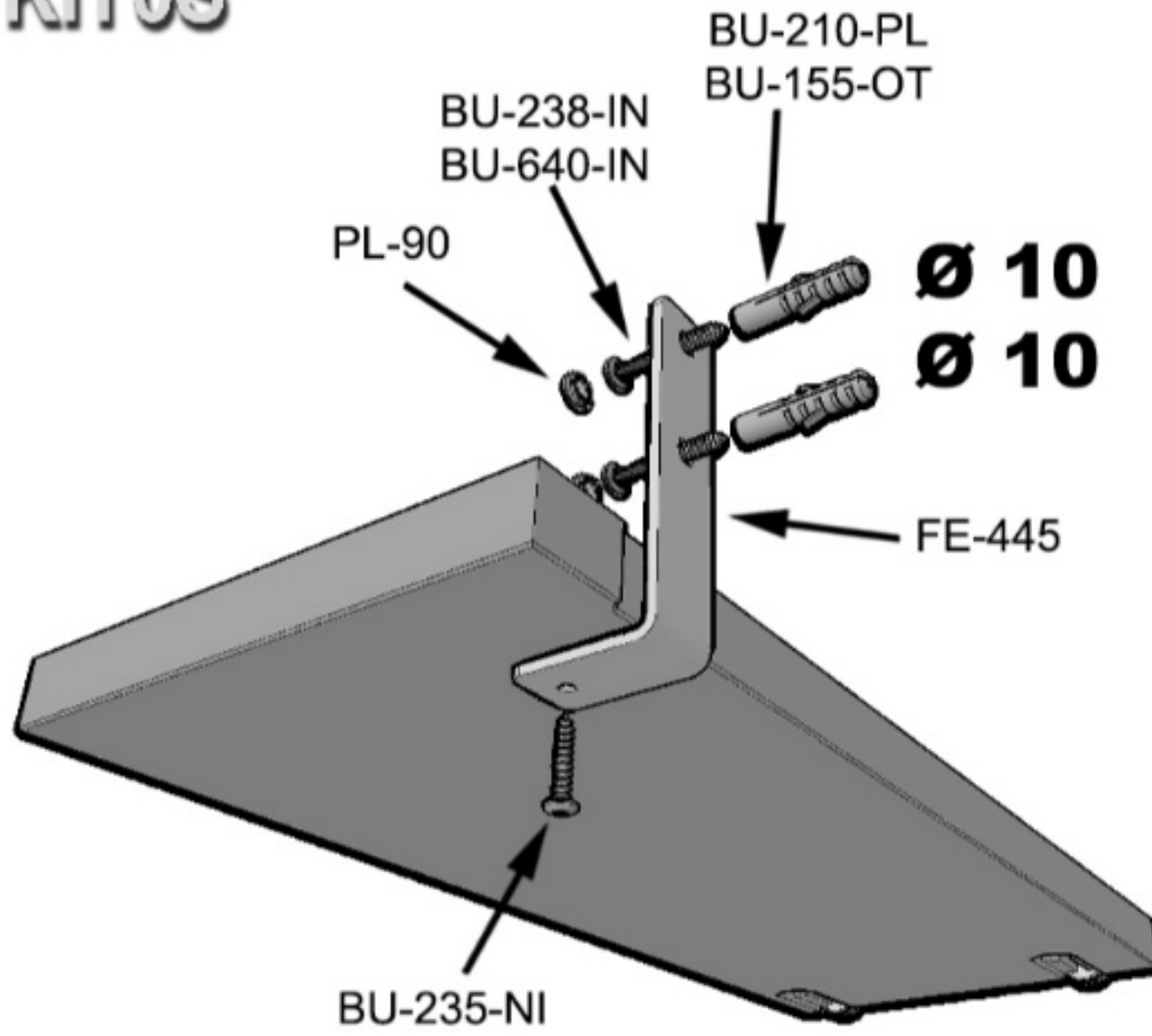


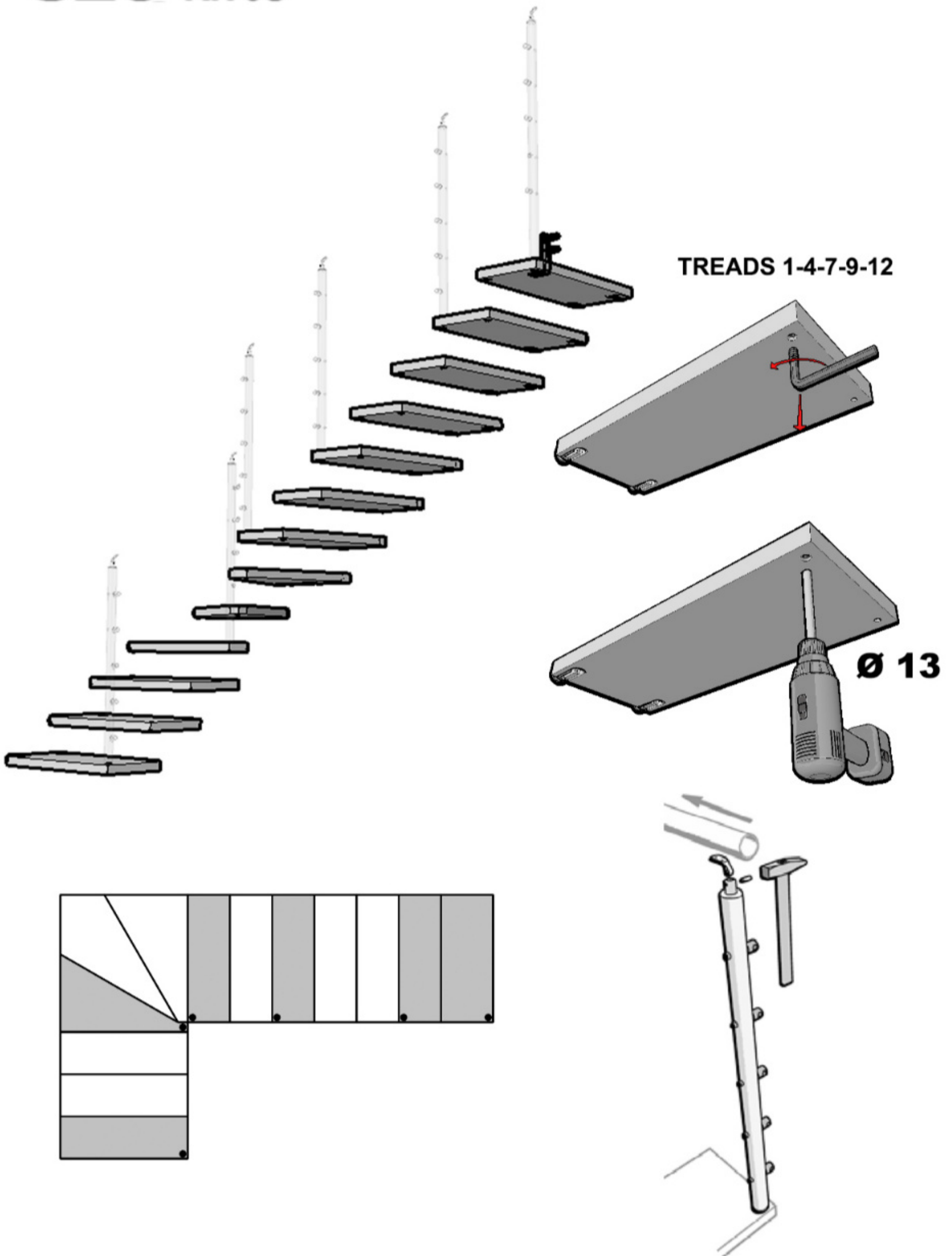


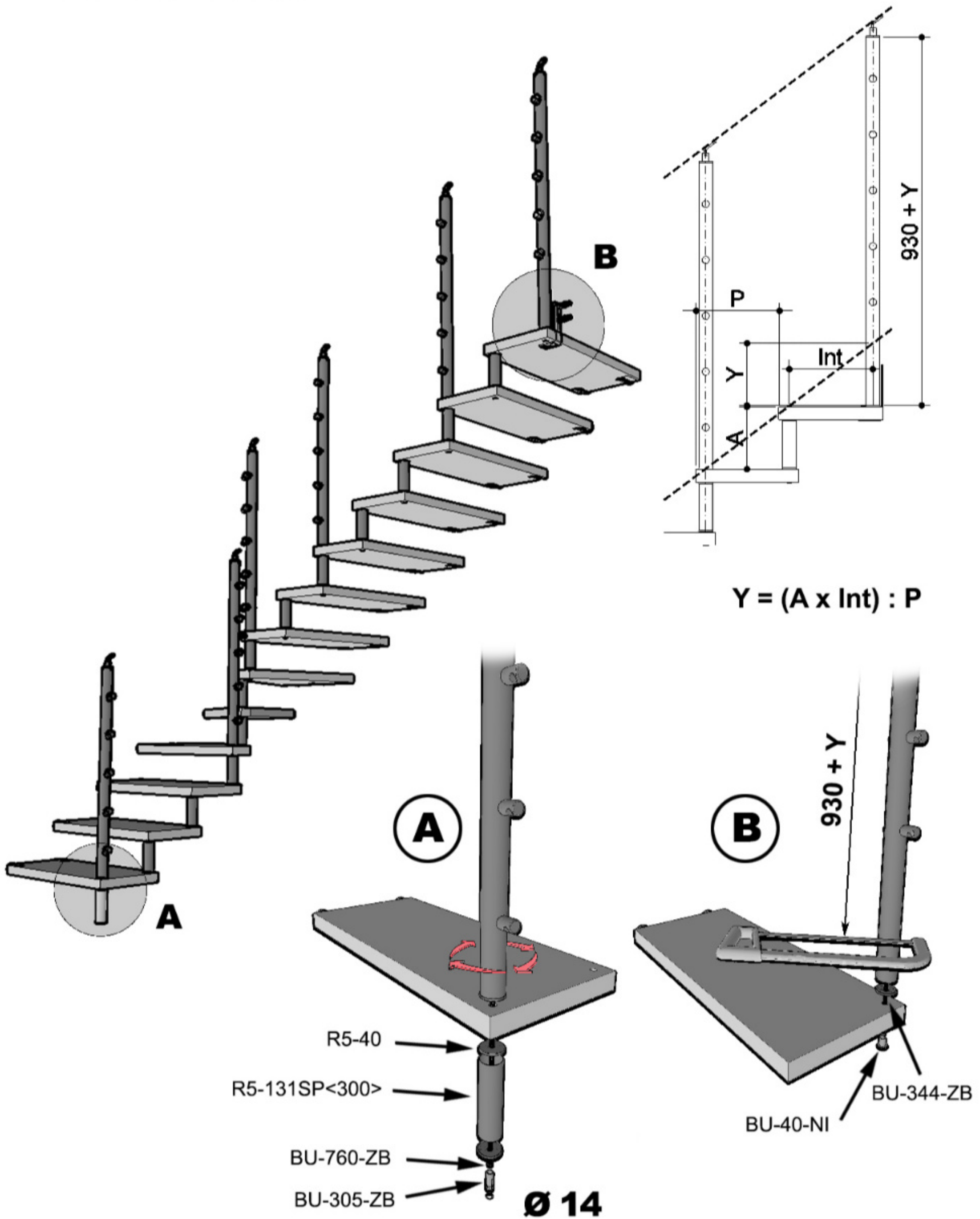


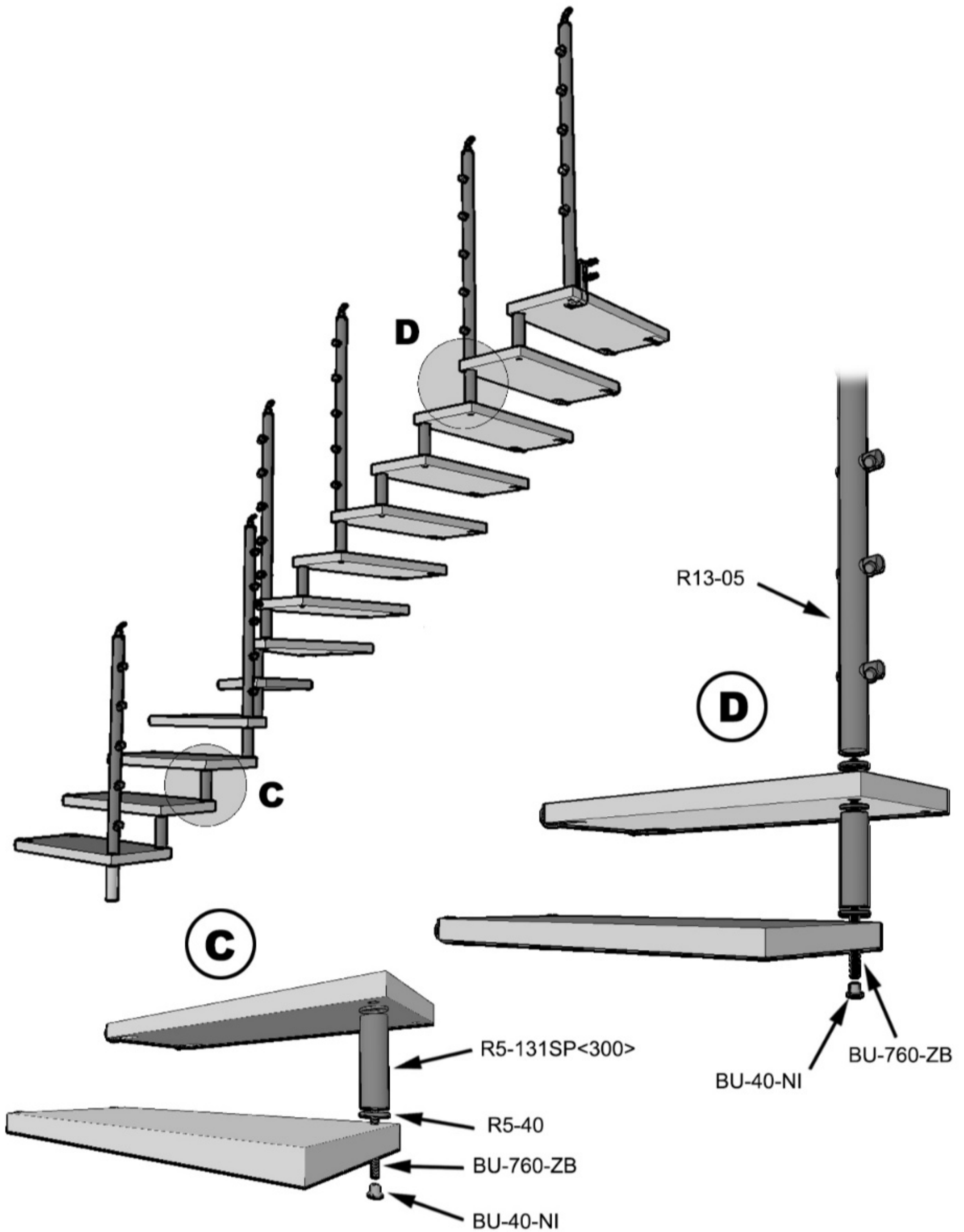
**NB: If the fixing with the wall plug does not fit your type of wall, it is MANDATORY to either use another type of plug that is correct or use a plug with "CHEMICAL ANCHORING".**

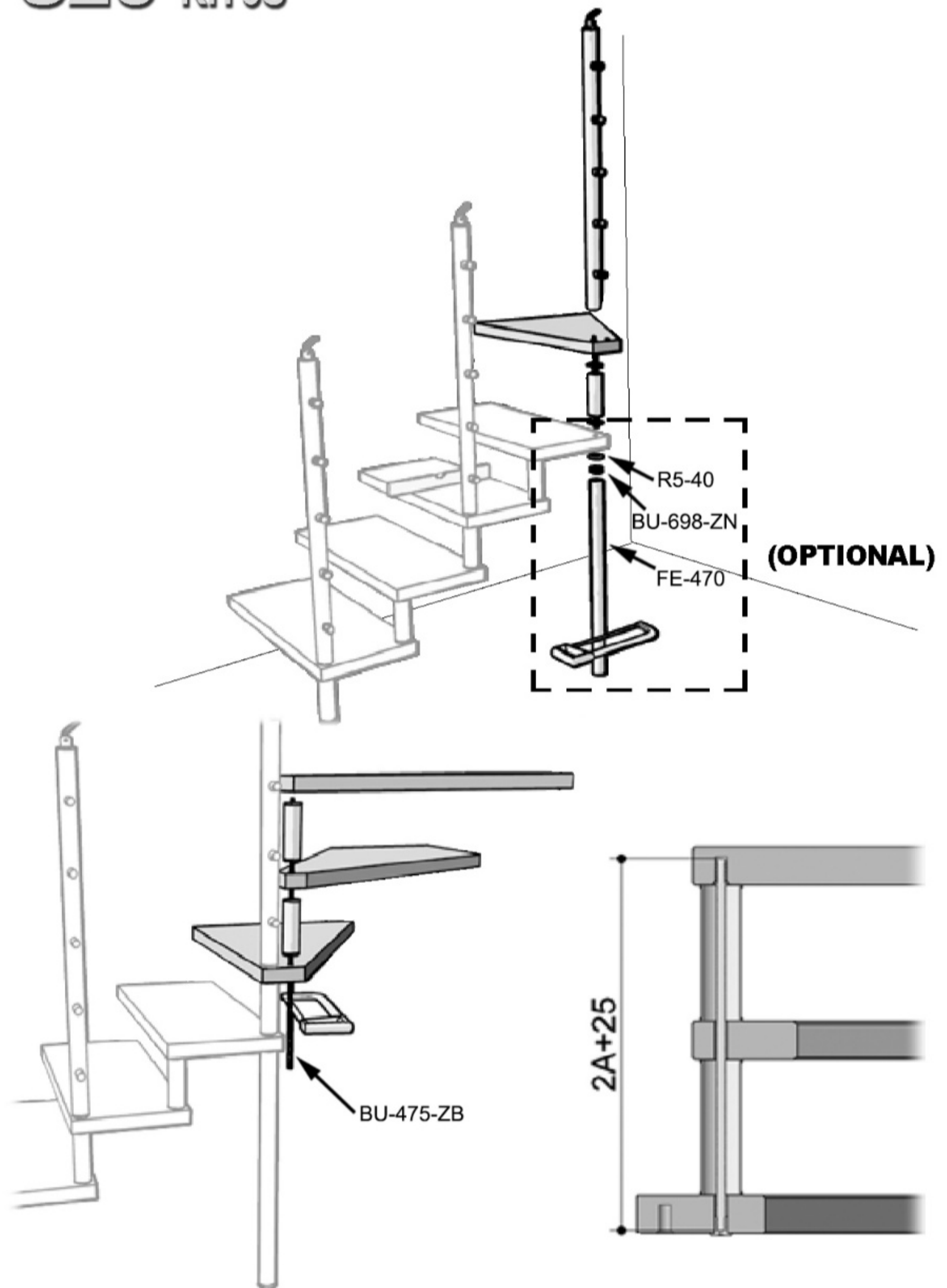


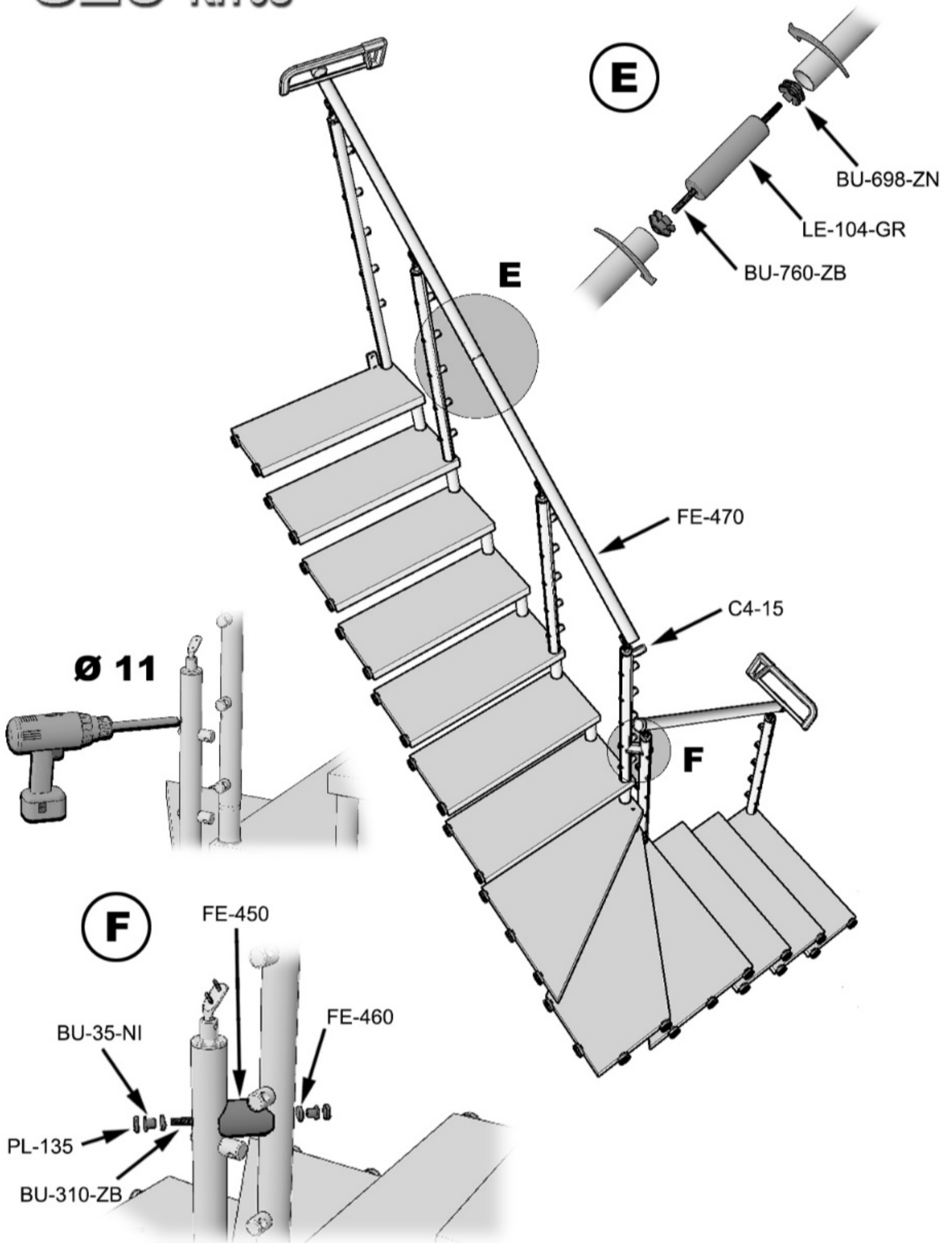


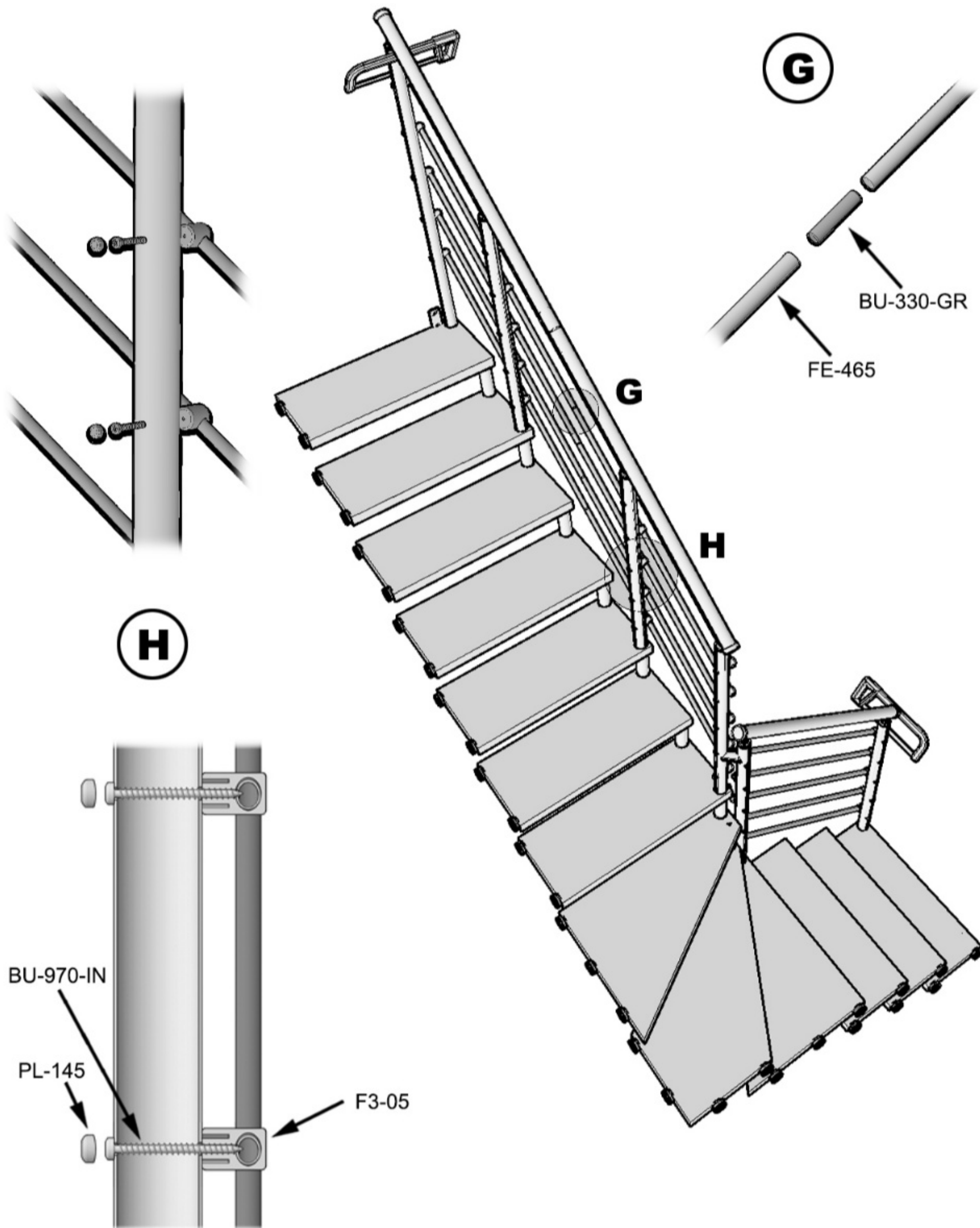


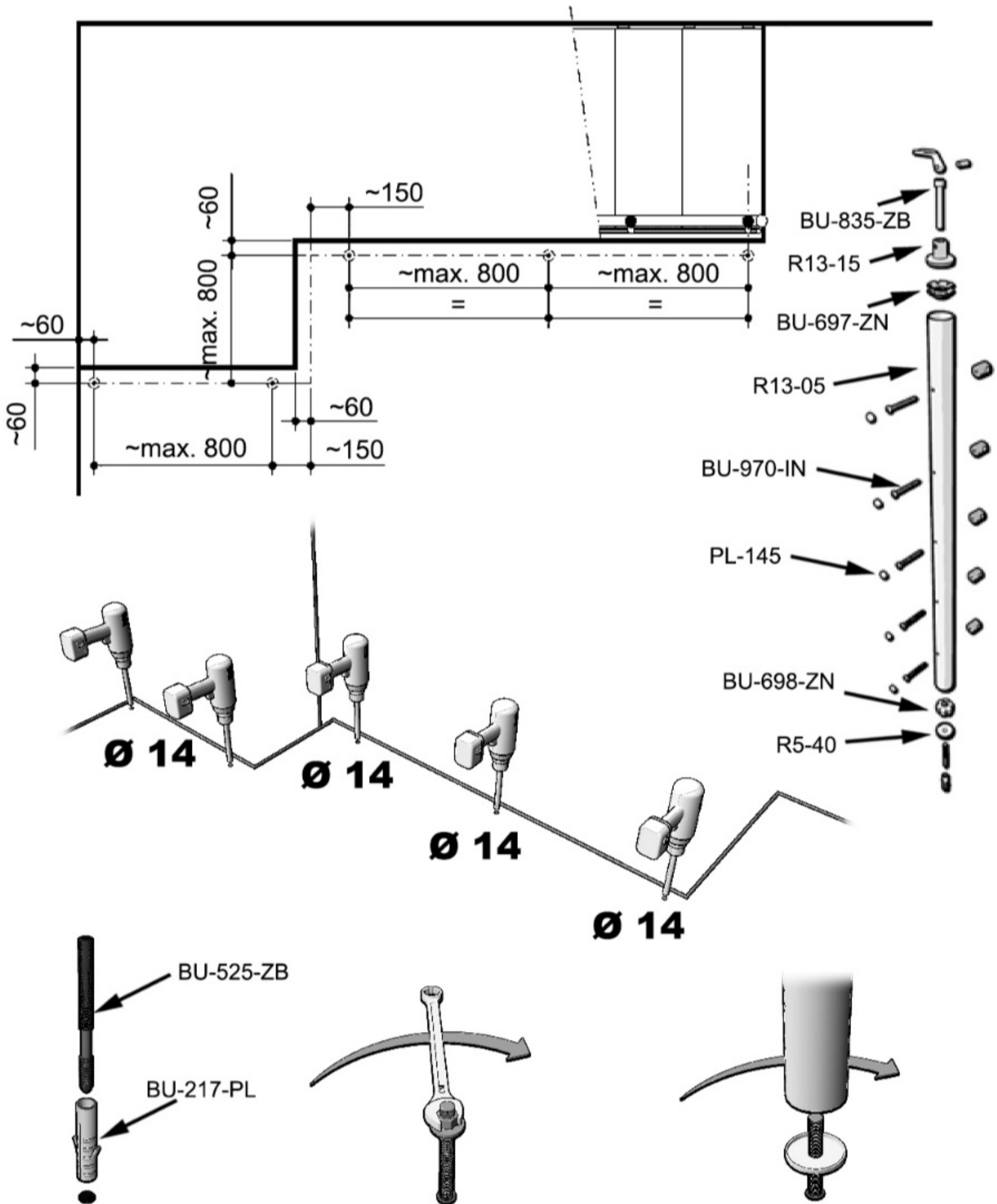




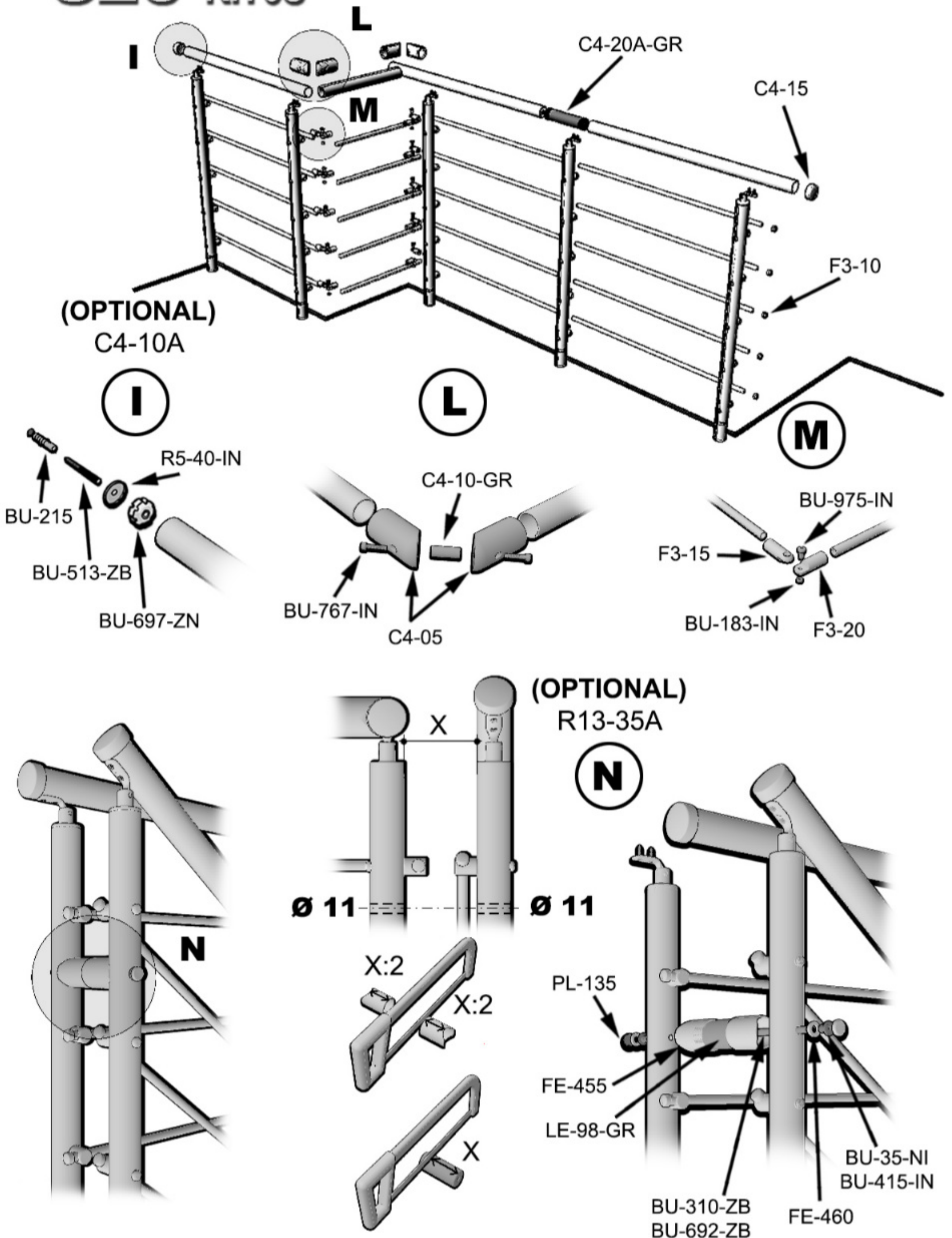


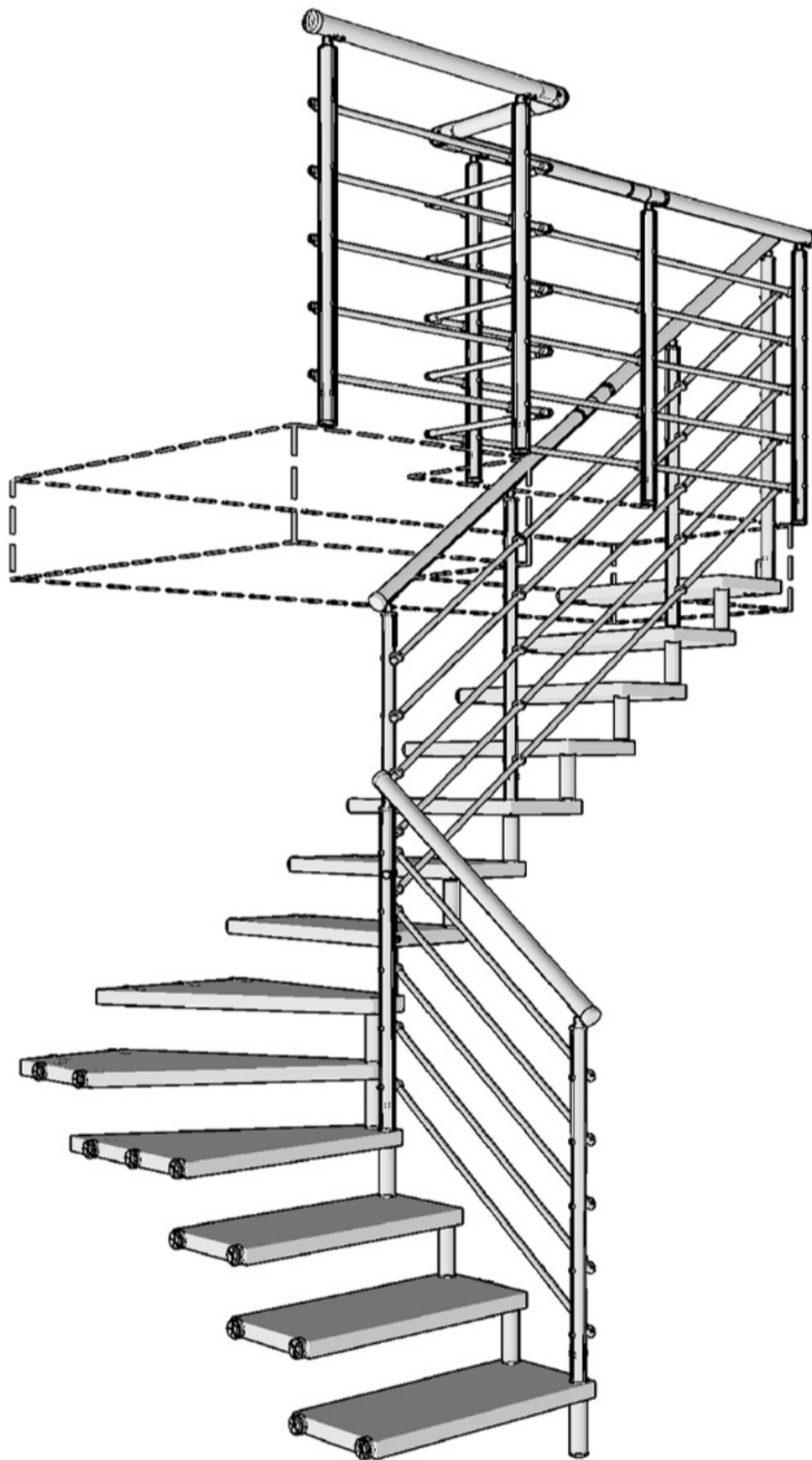






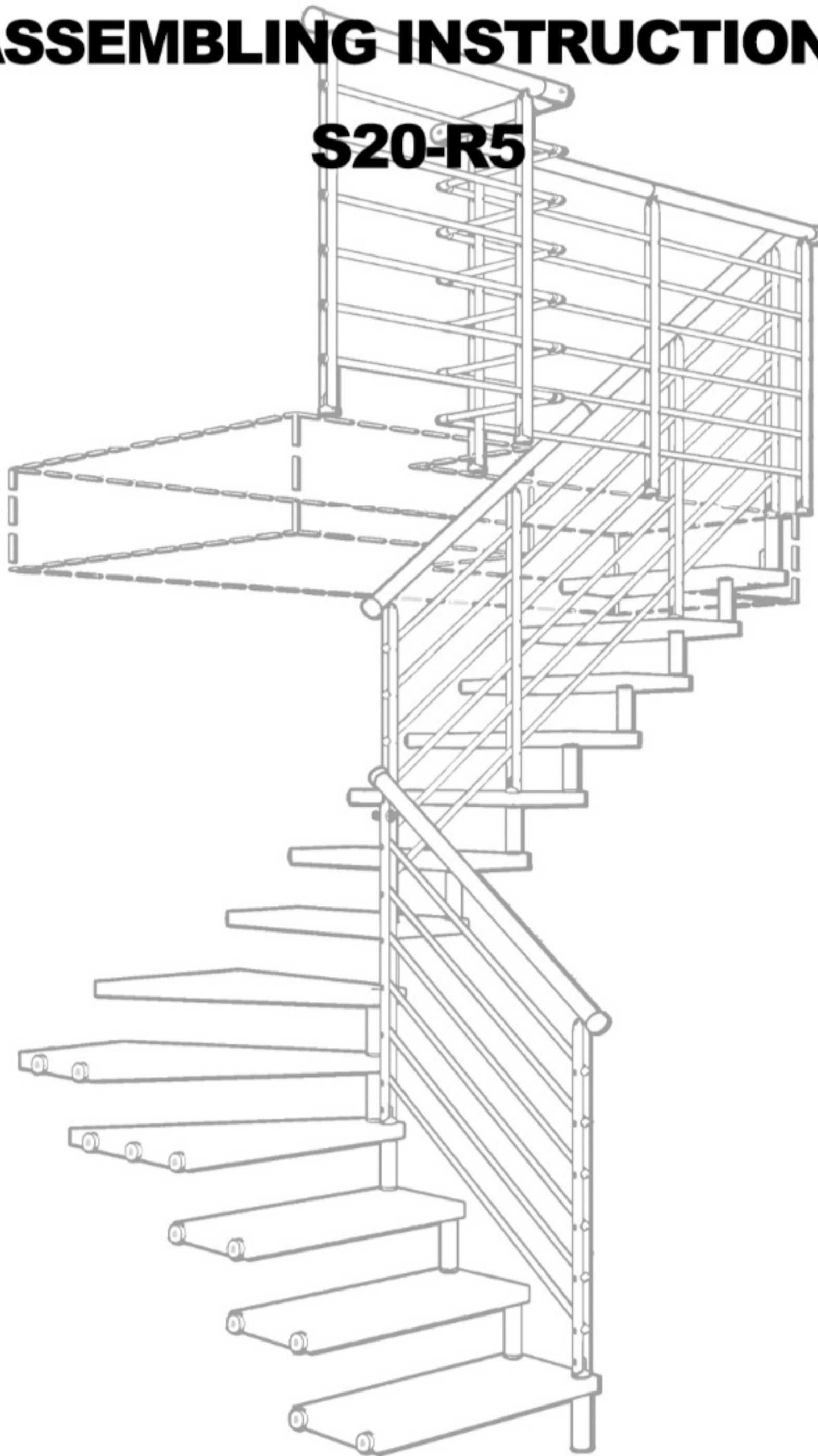
# S20 KITOS





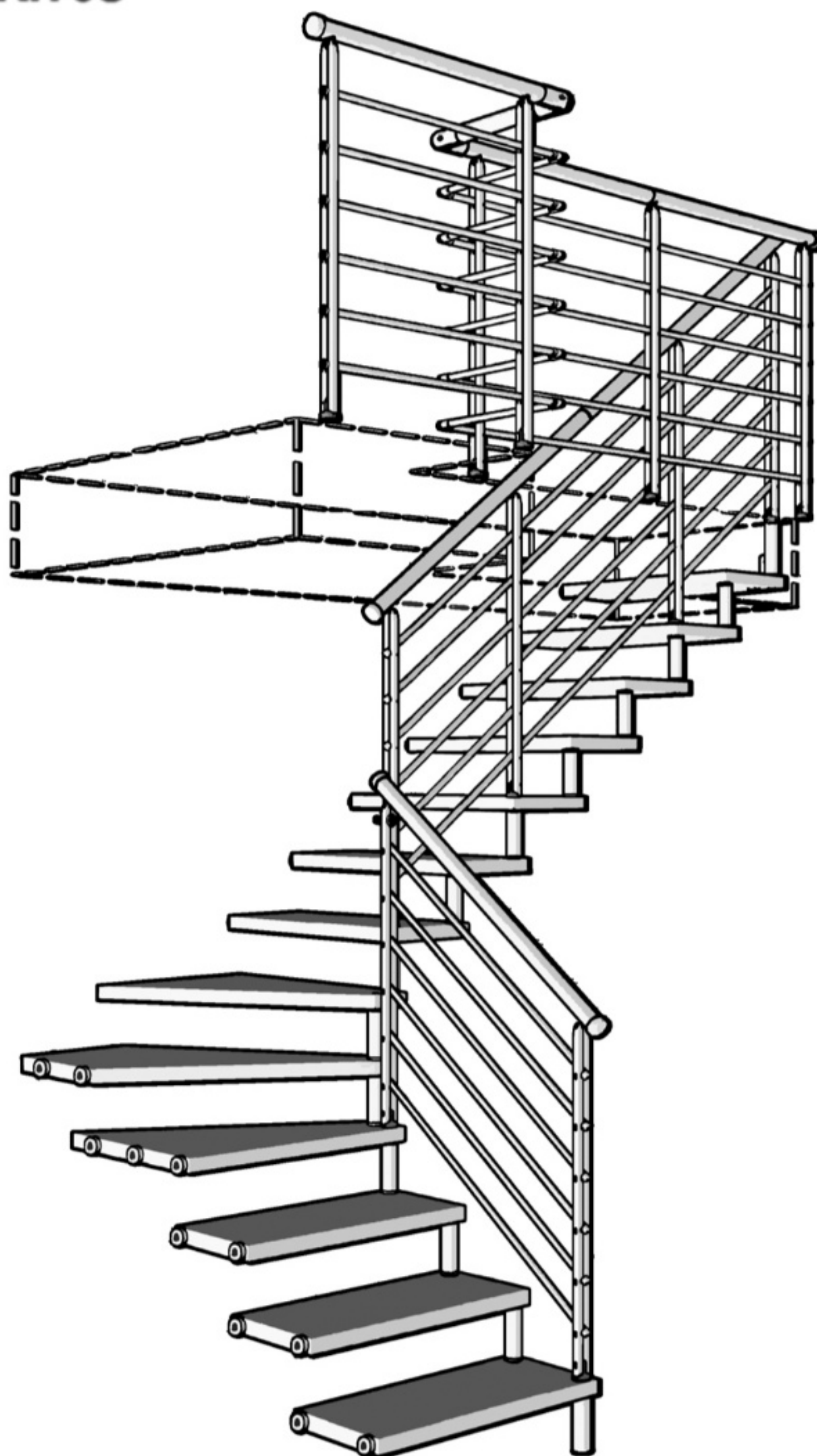
# ASSEMBLING INSTRUCTIONS

## S20-R5

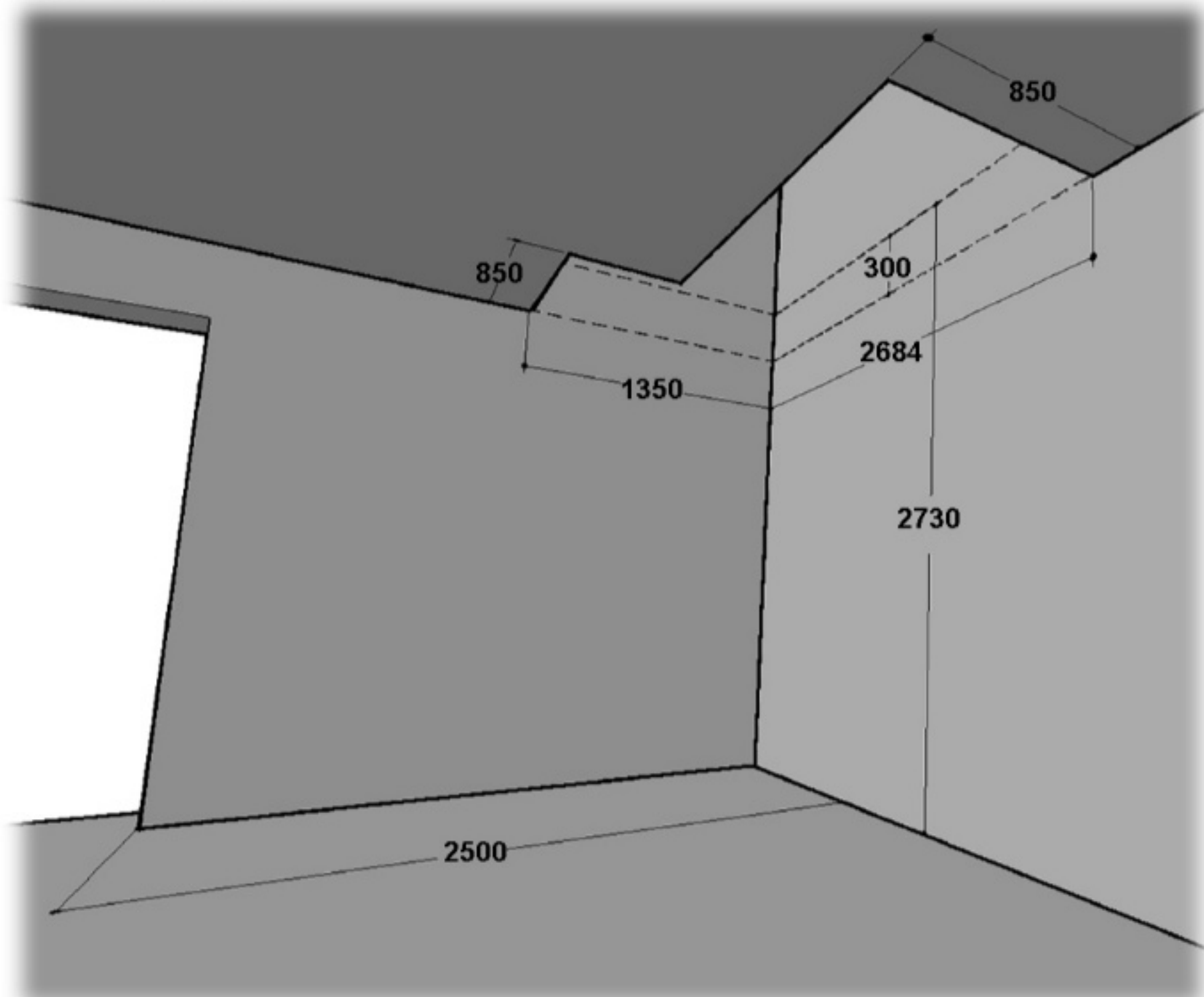


**- ENGLISH -**

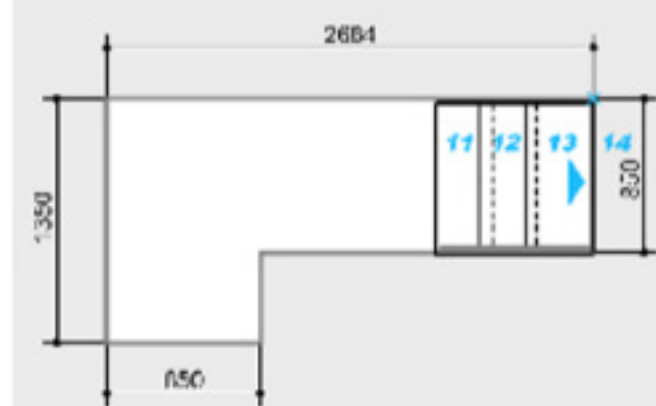




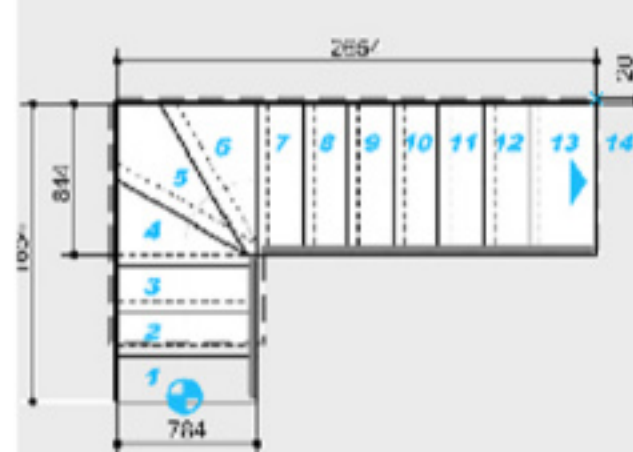
**N.B: All measurements and numerical values are in mm**



Landing hole view

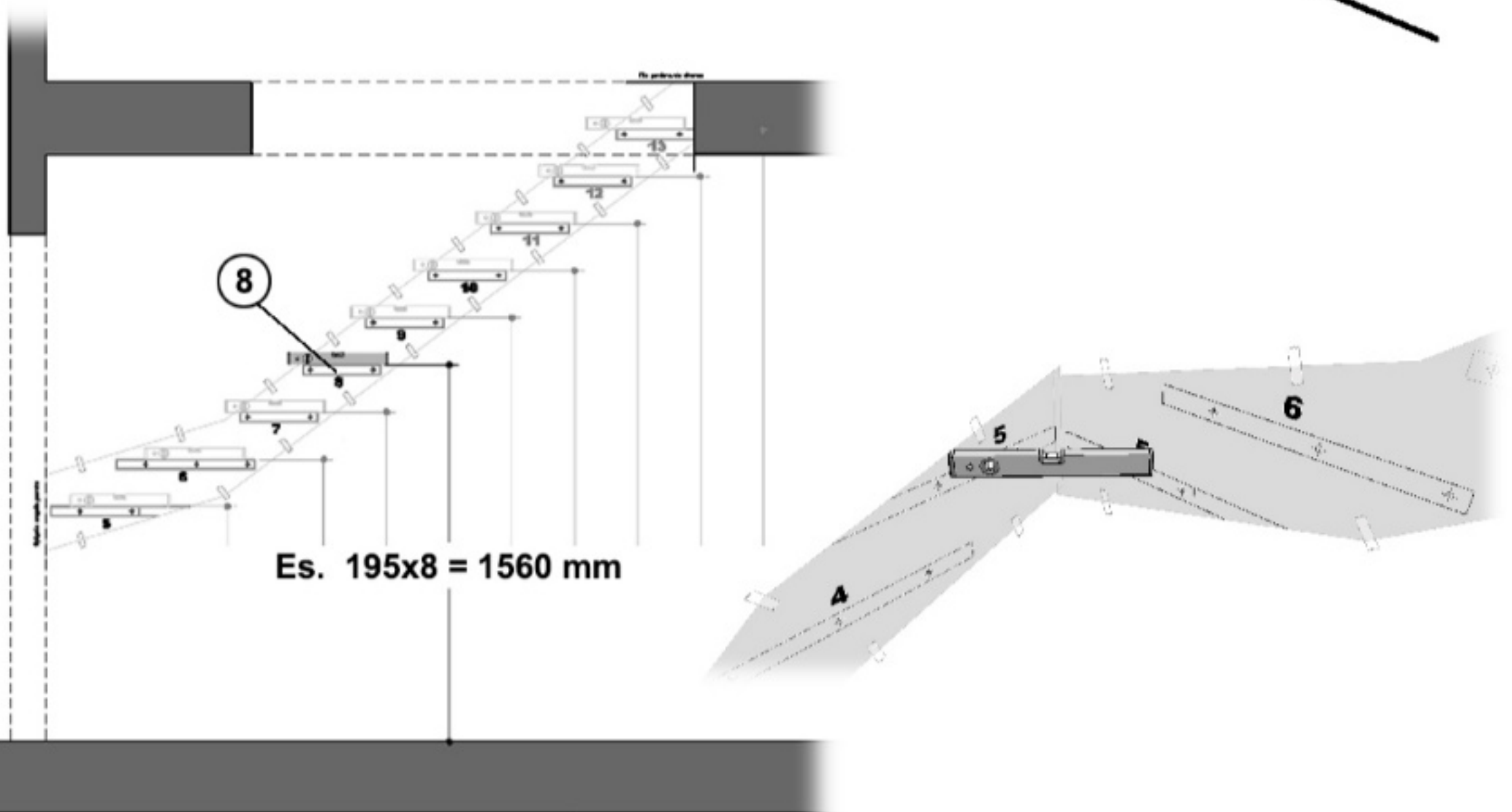
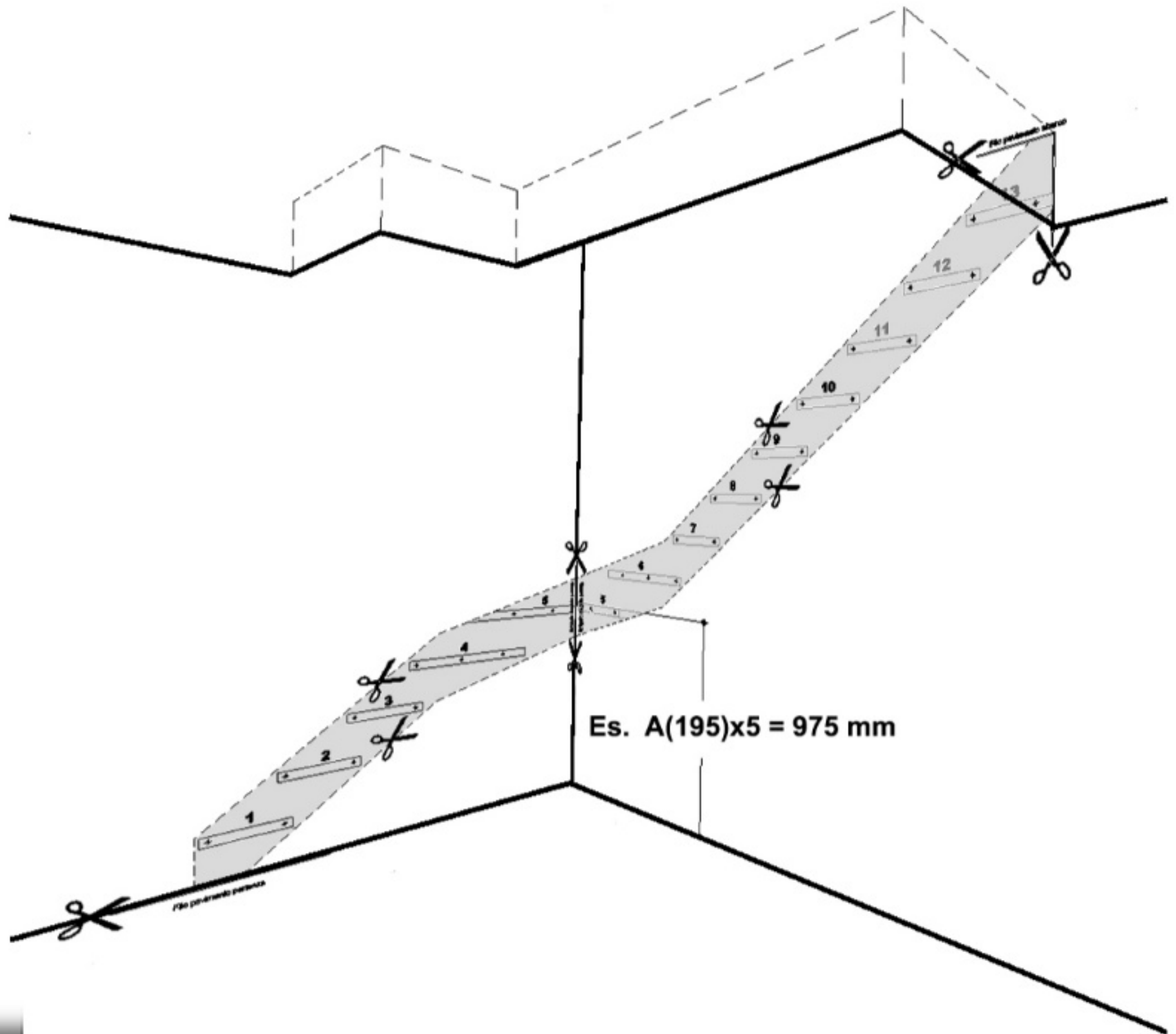


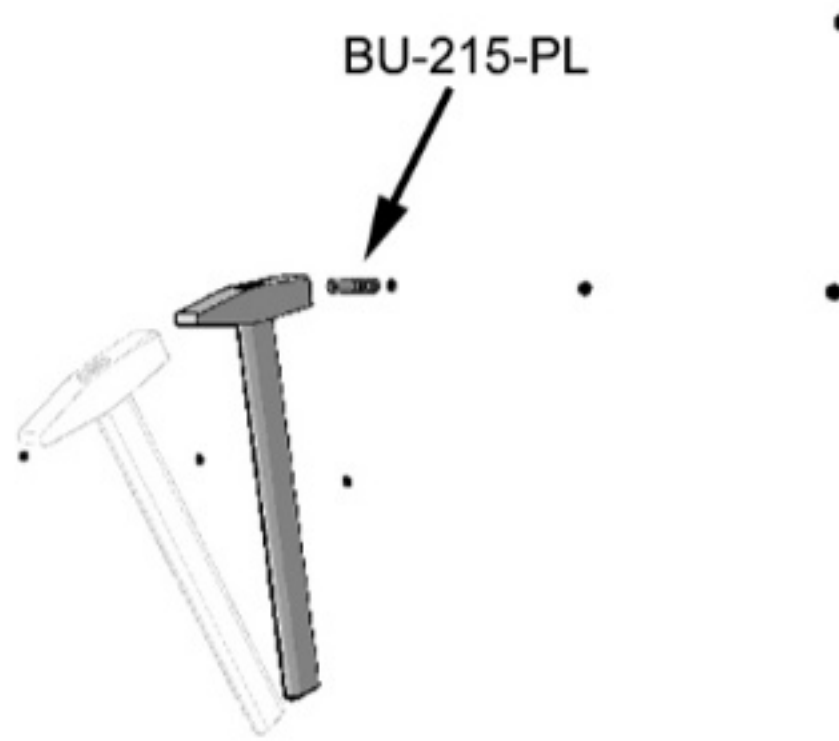
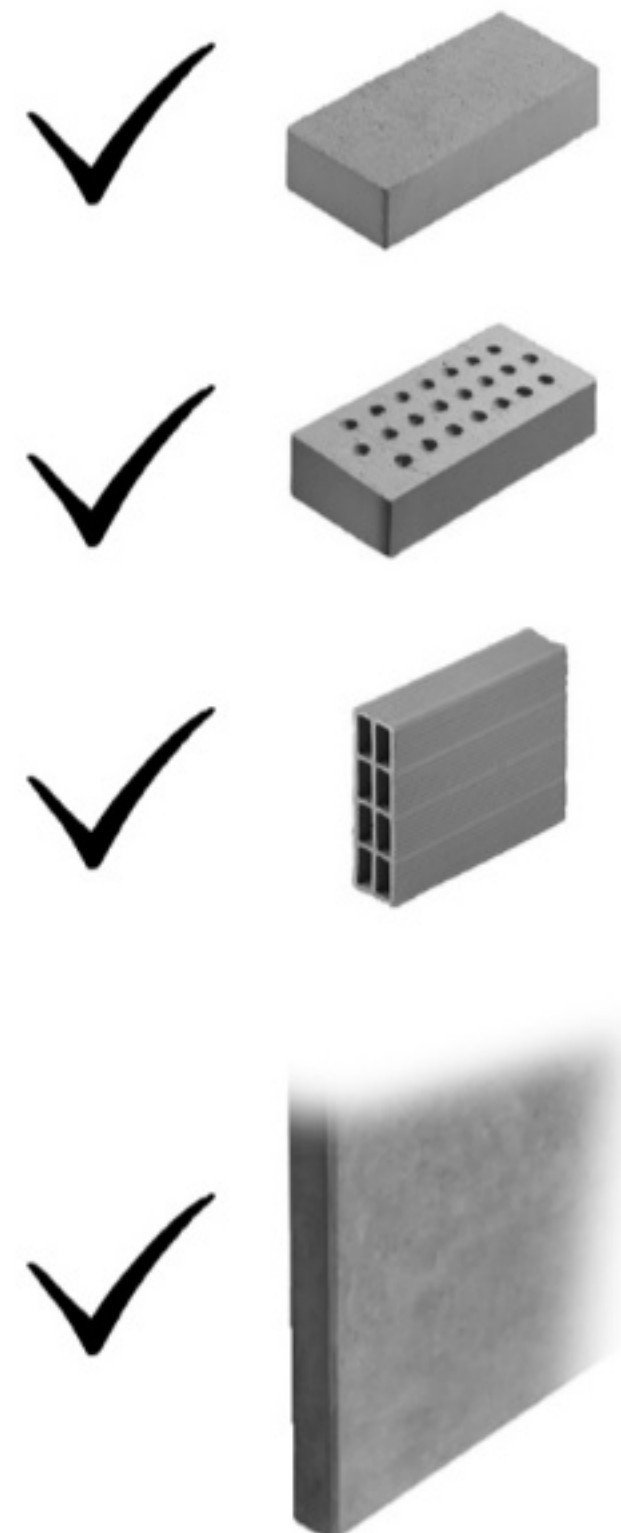
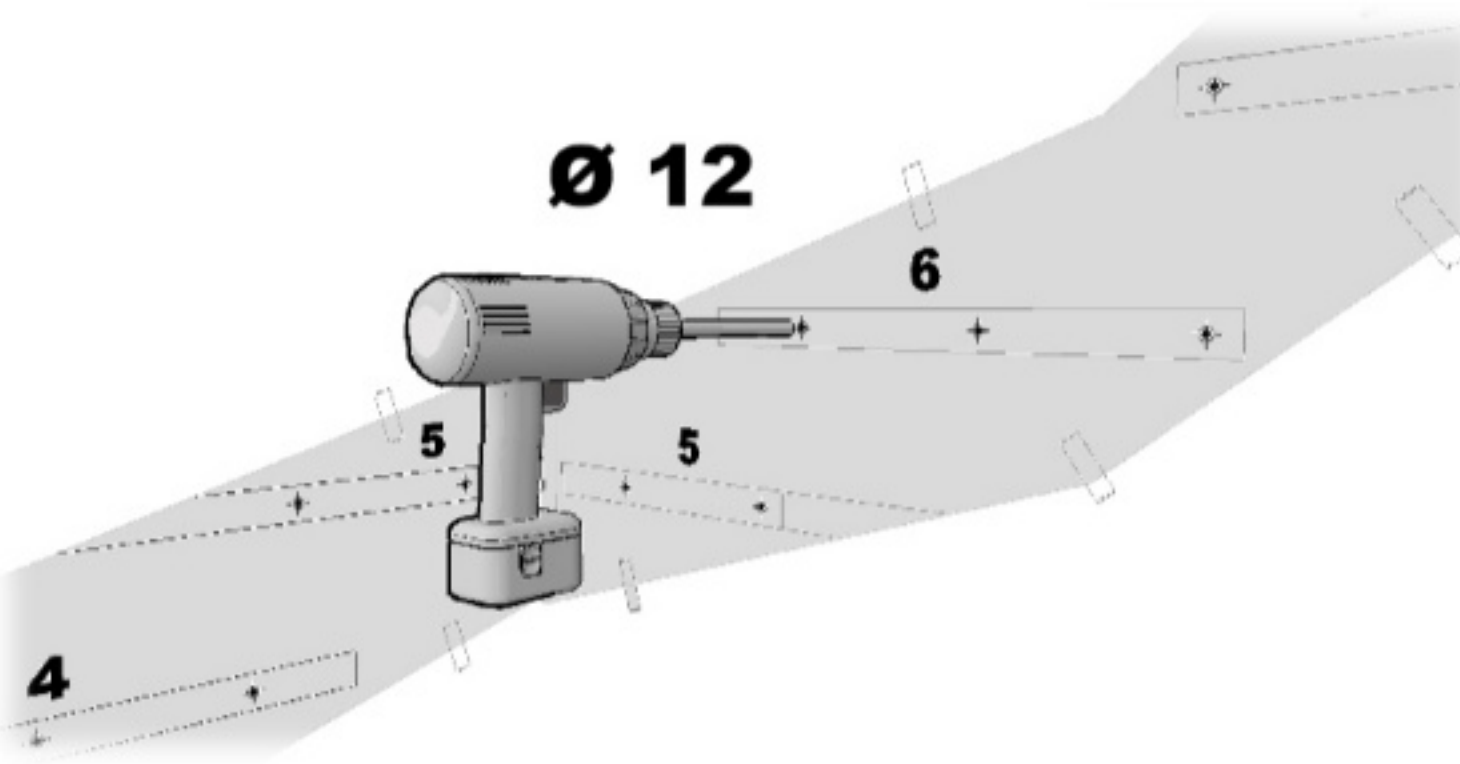
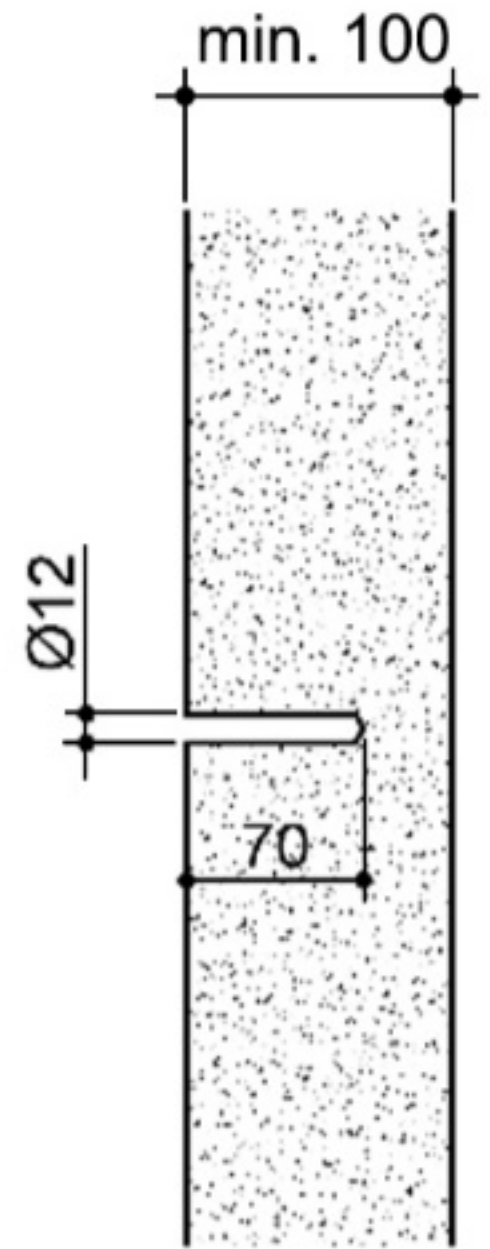
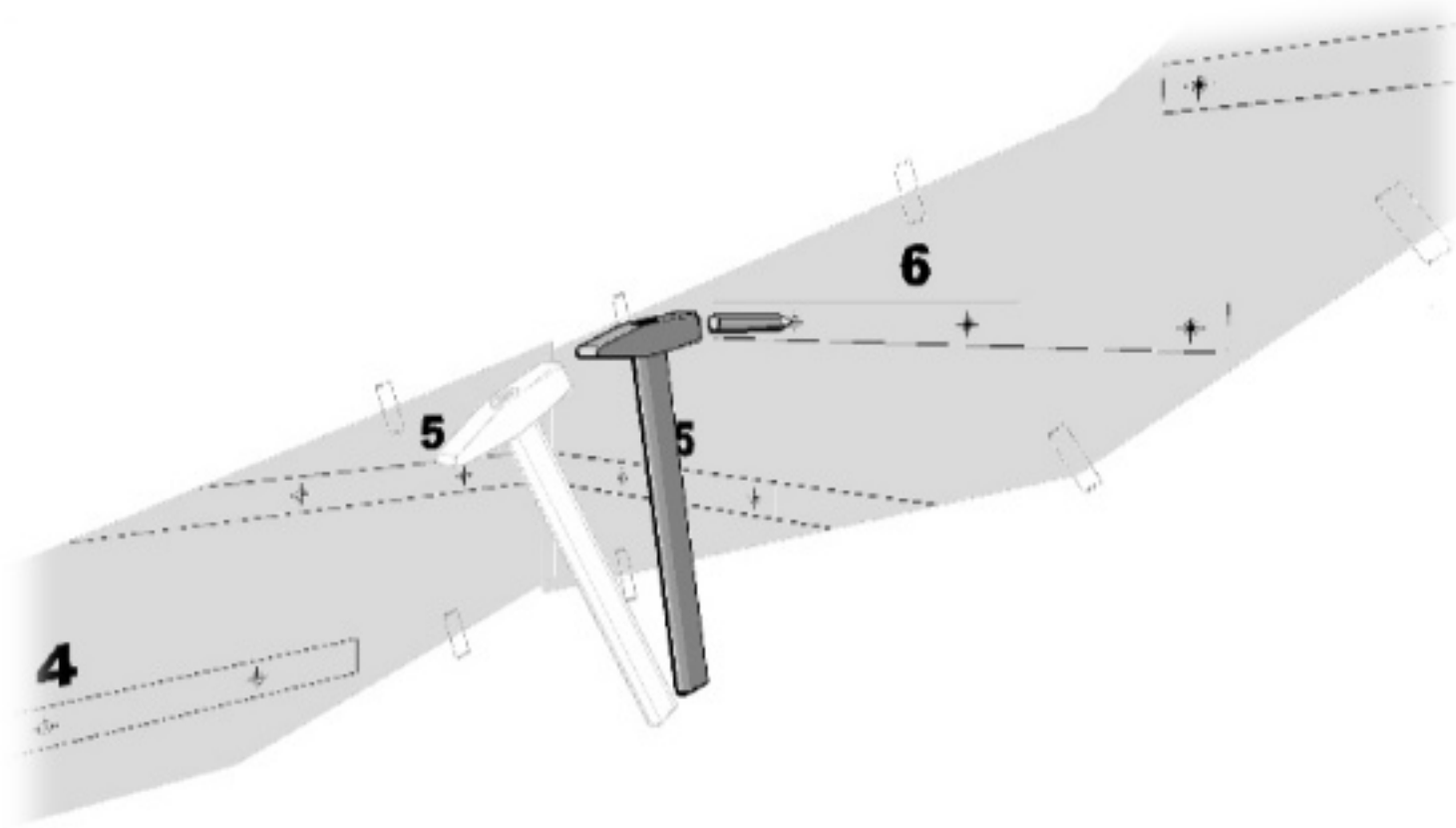
Starting hole view

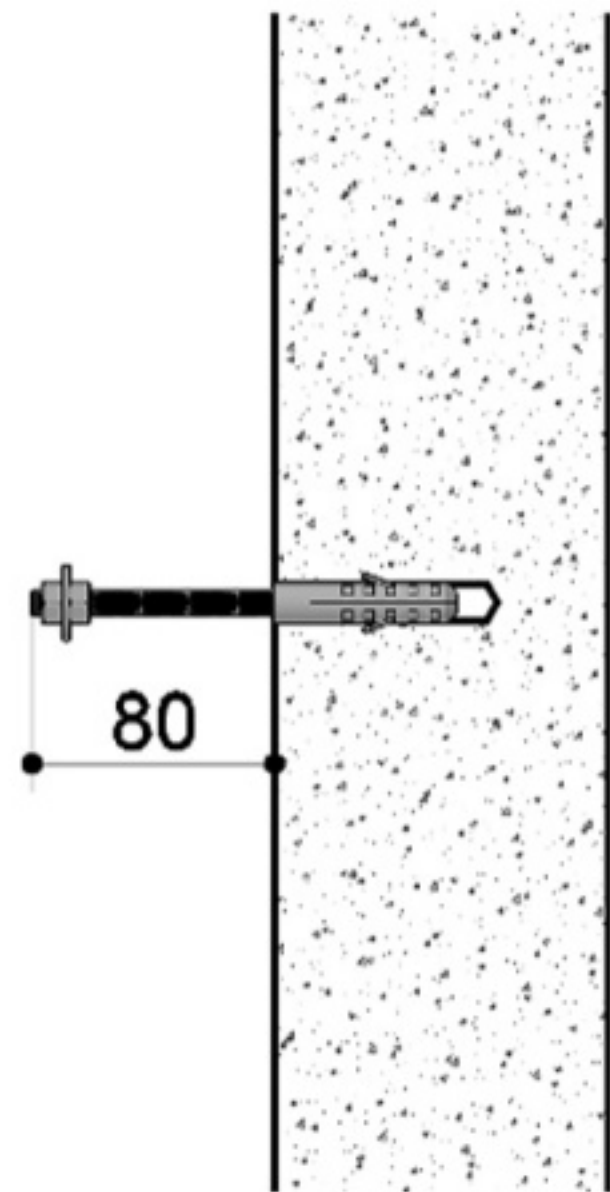
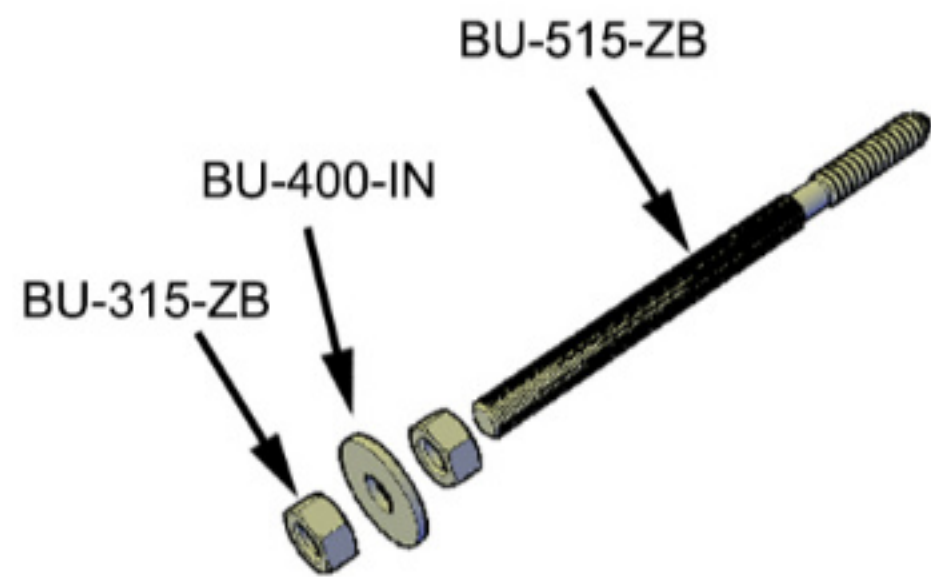
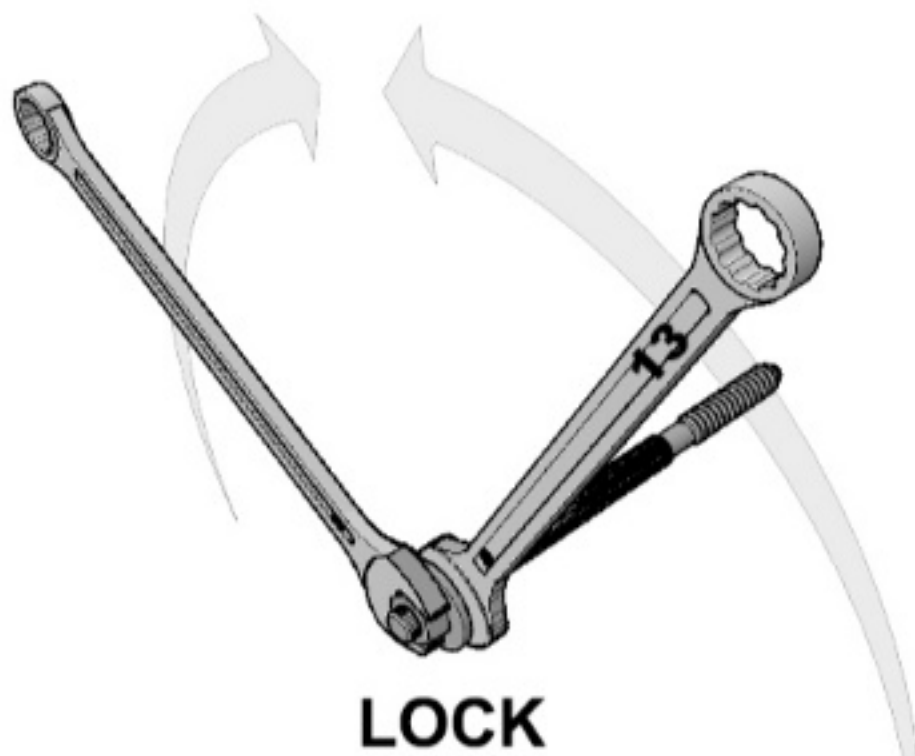


Total height	2730
Average riser	195
Slab thickness	300
Landing	Below slab
Flight tread	250
Flight width	784 - 844
Total balustrade	3,20 m

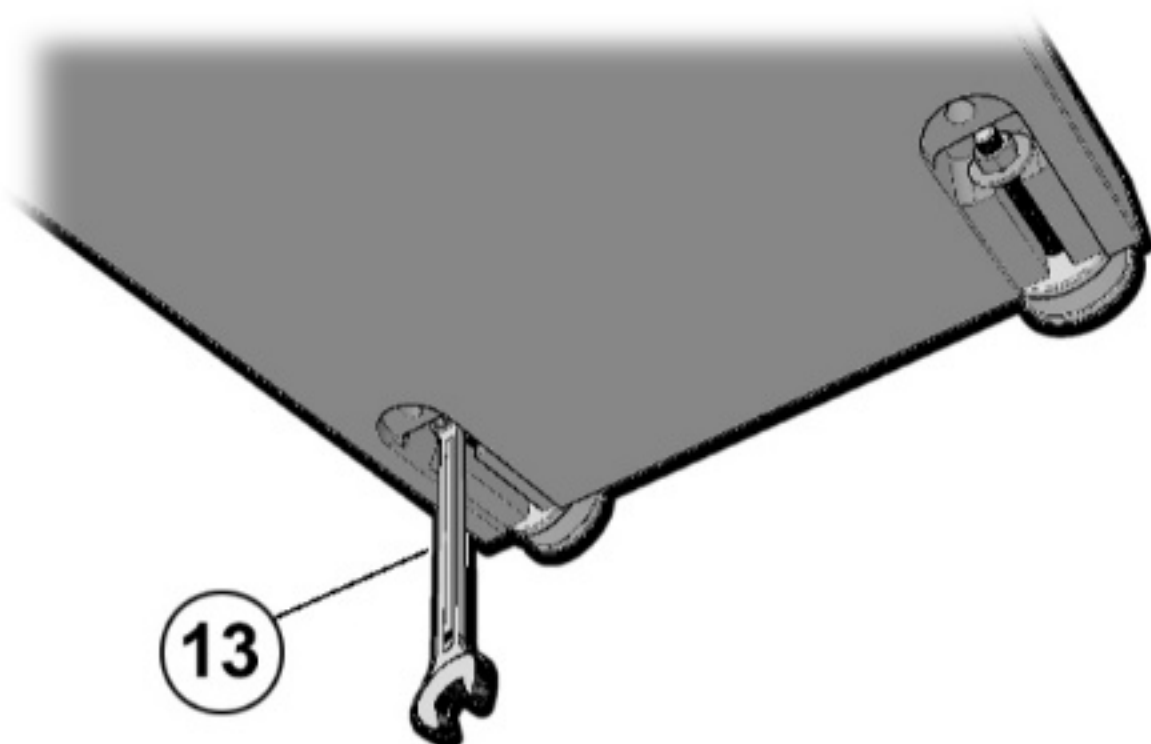
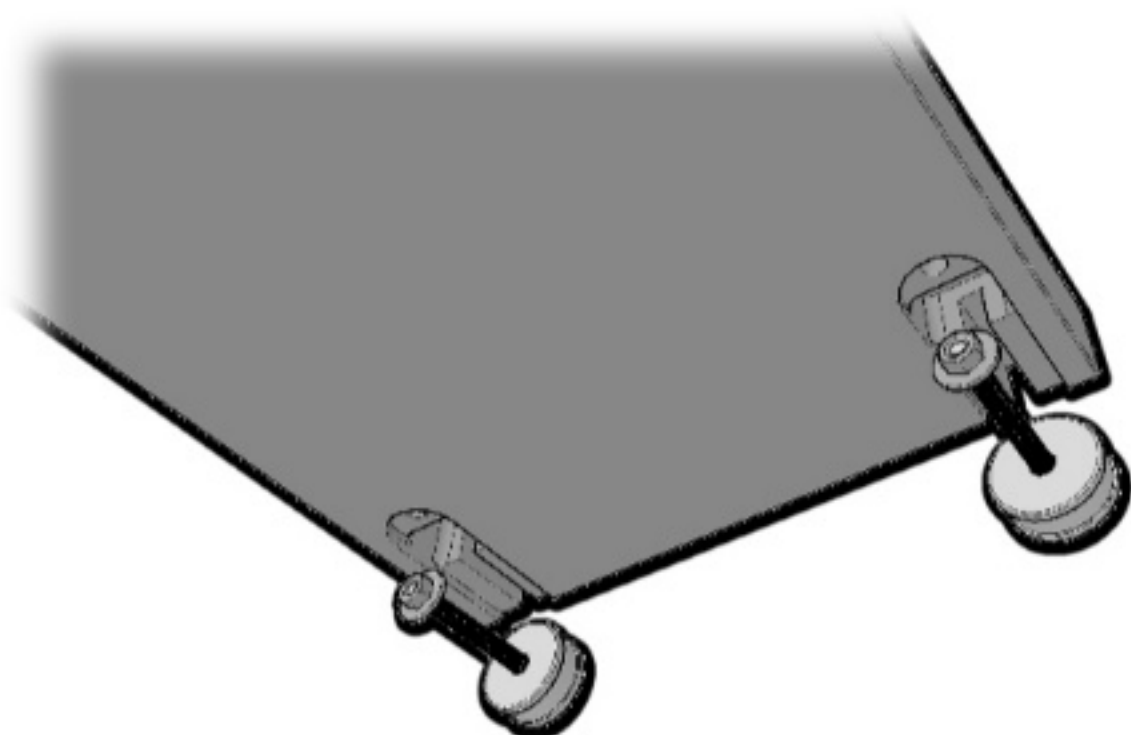
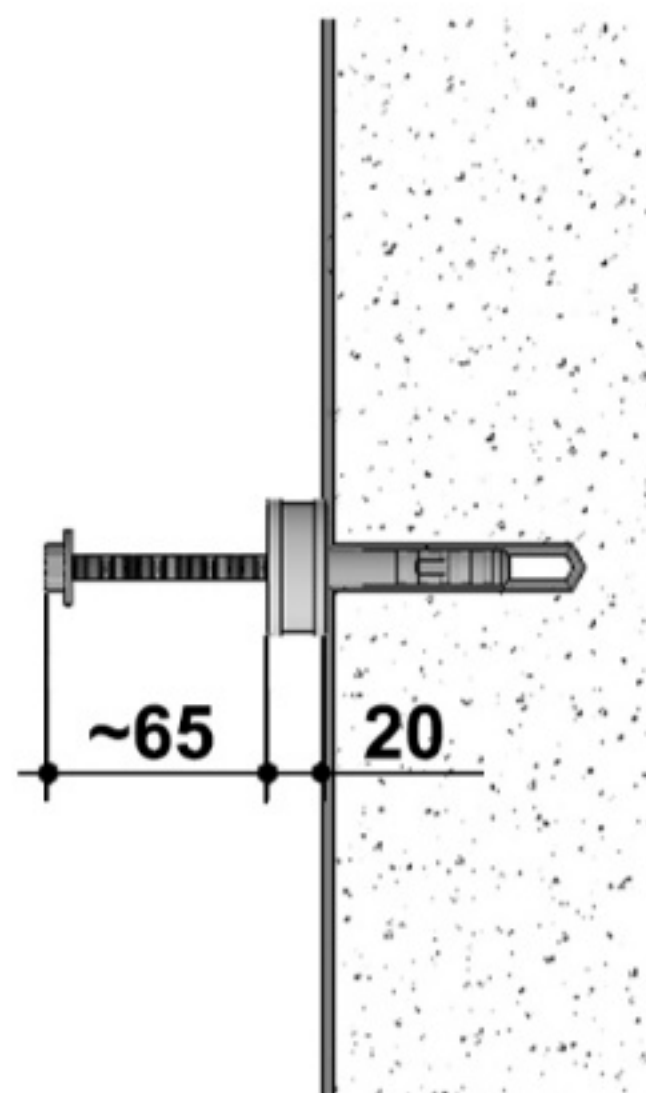
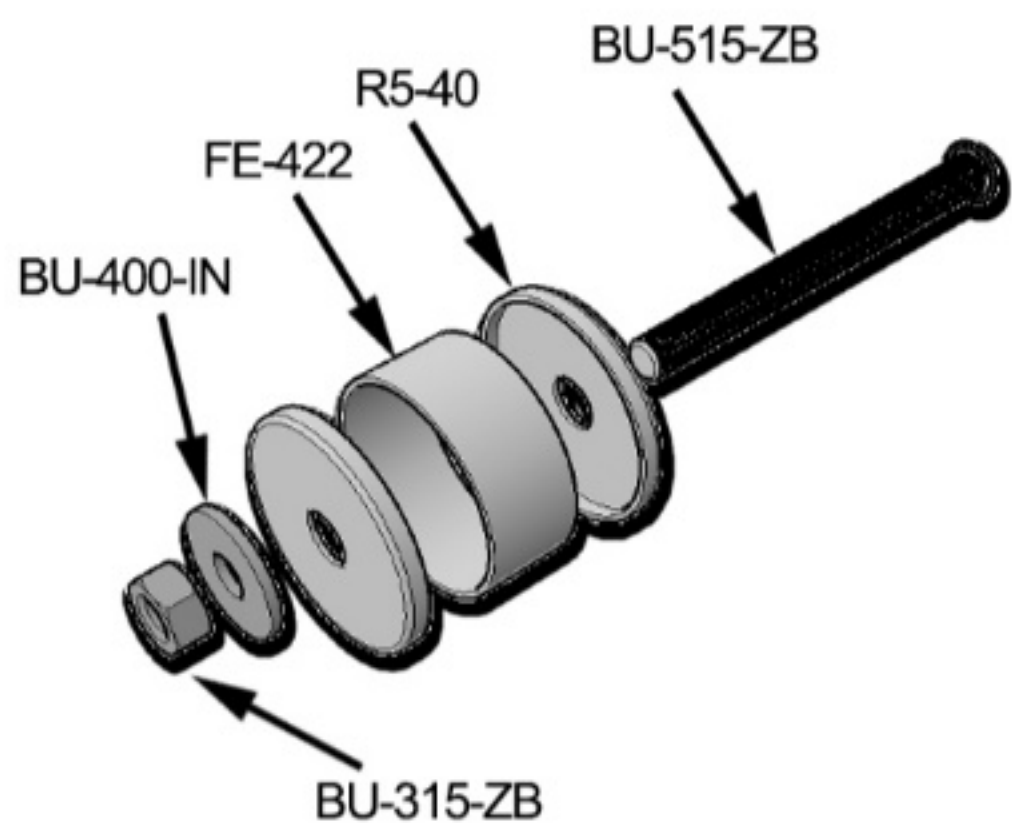
Railing / Balustrade mod.	R5 Metal handrail
Wood finish	Oak
Metal and plastic colour	White coated powder
Wood	Beech
Metal	Steel S235JREN10027/2

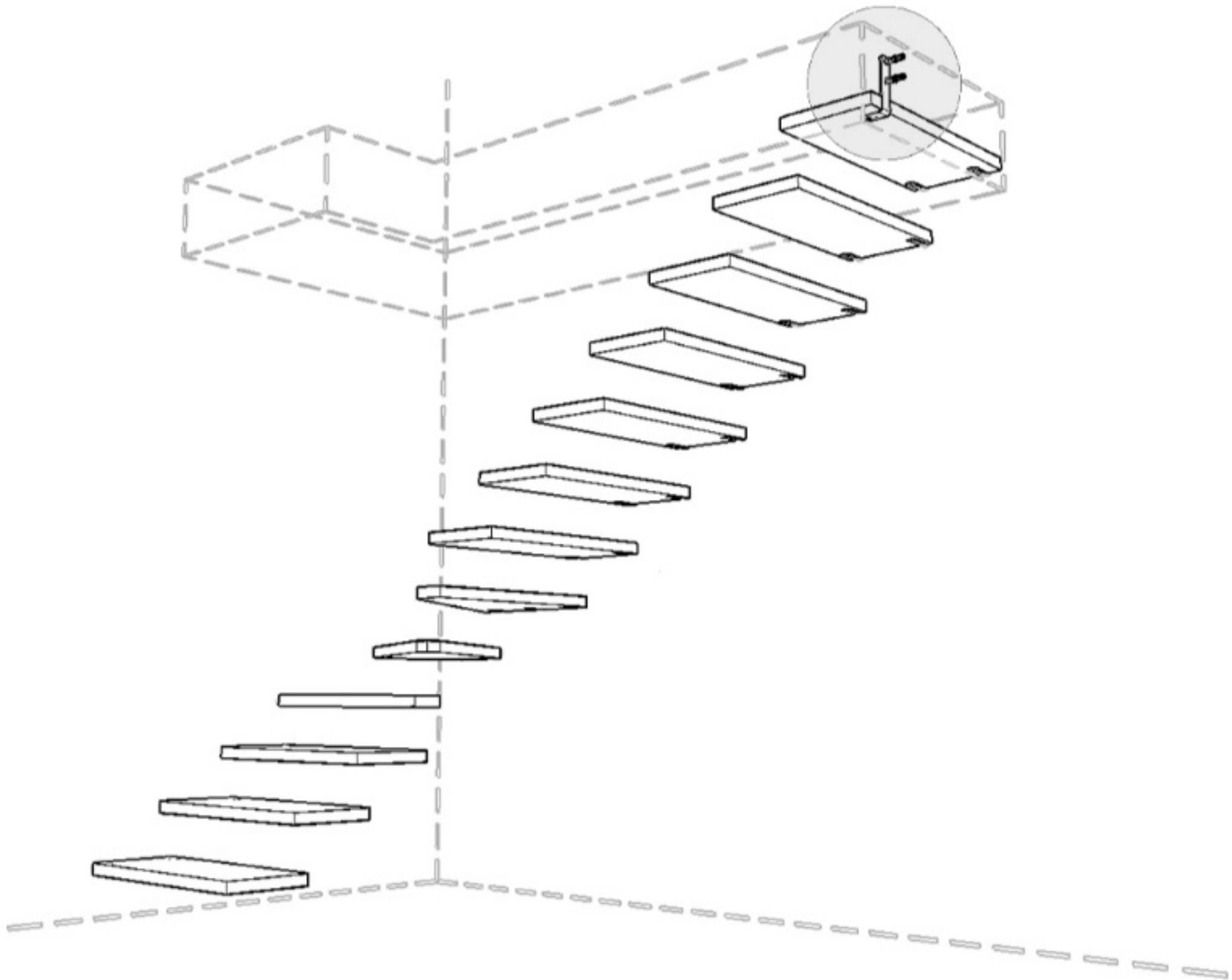
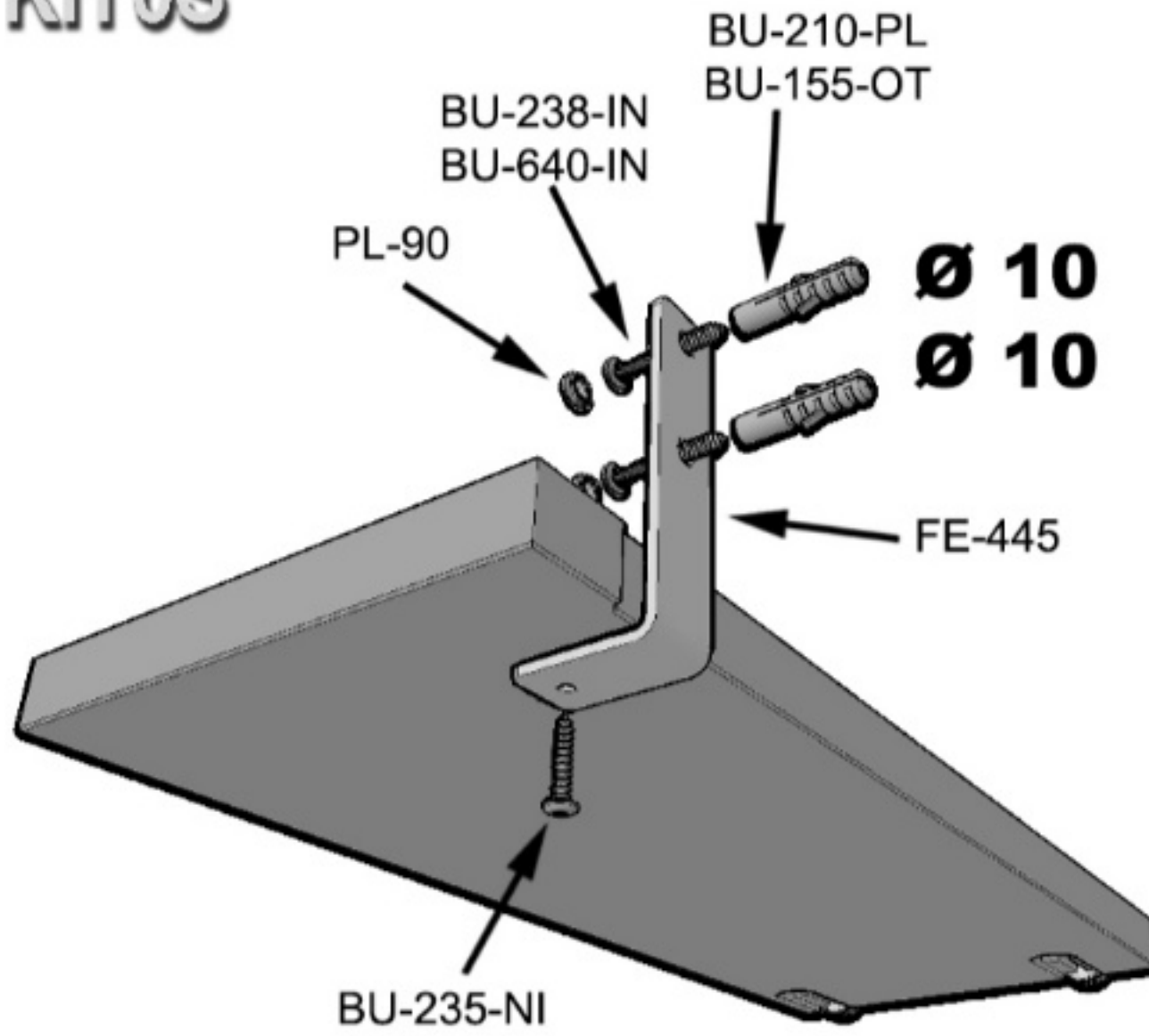


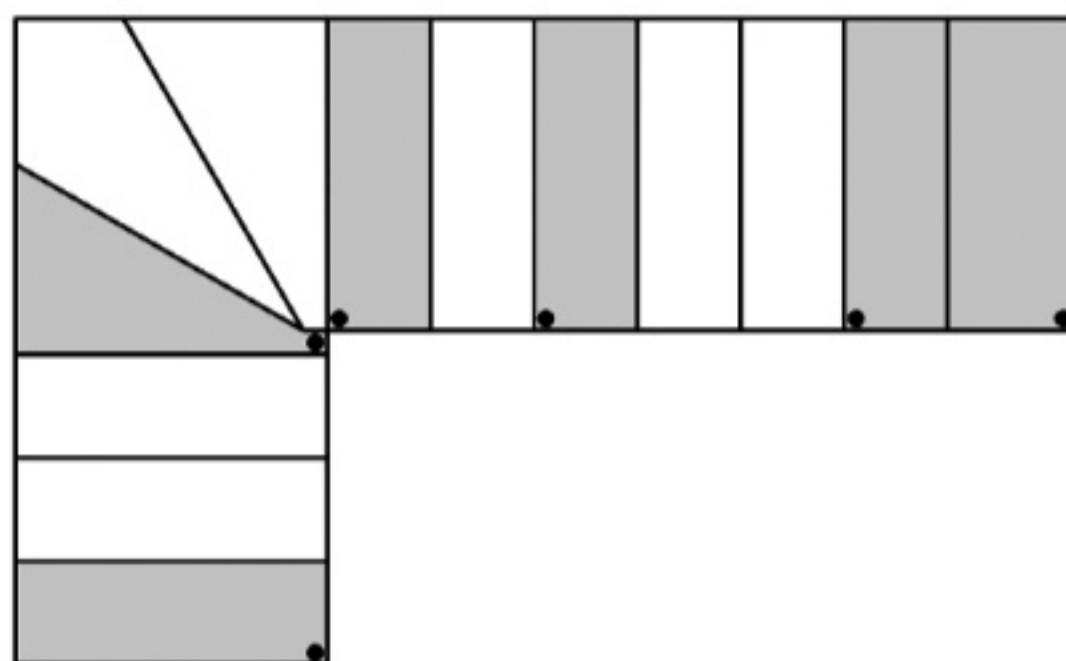
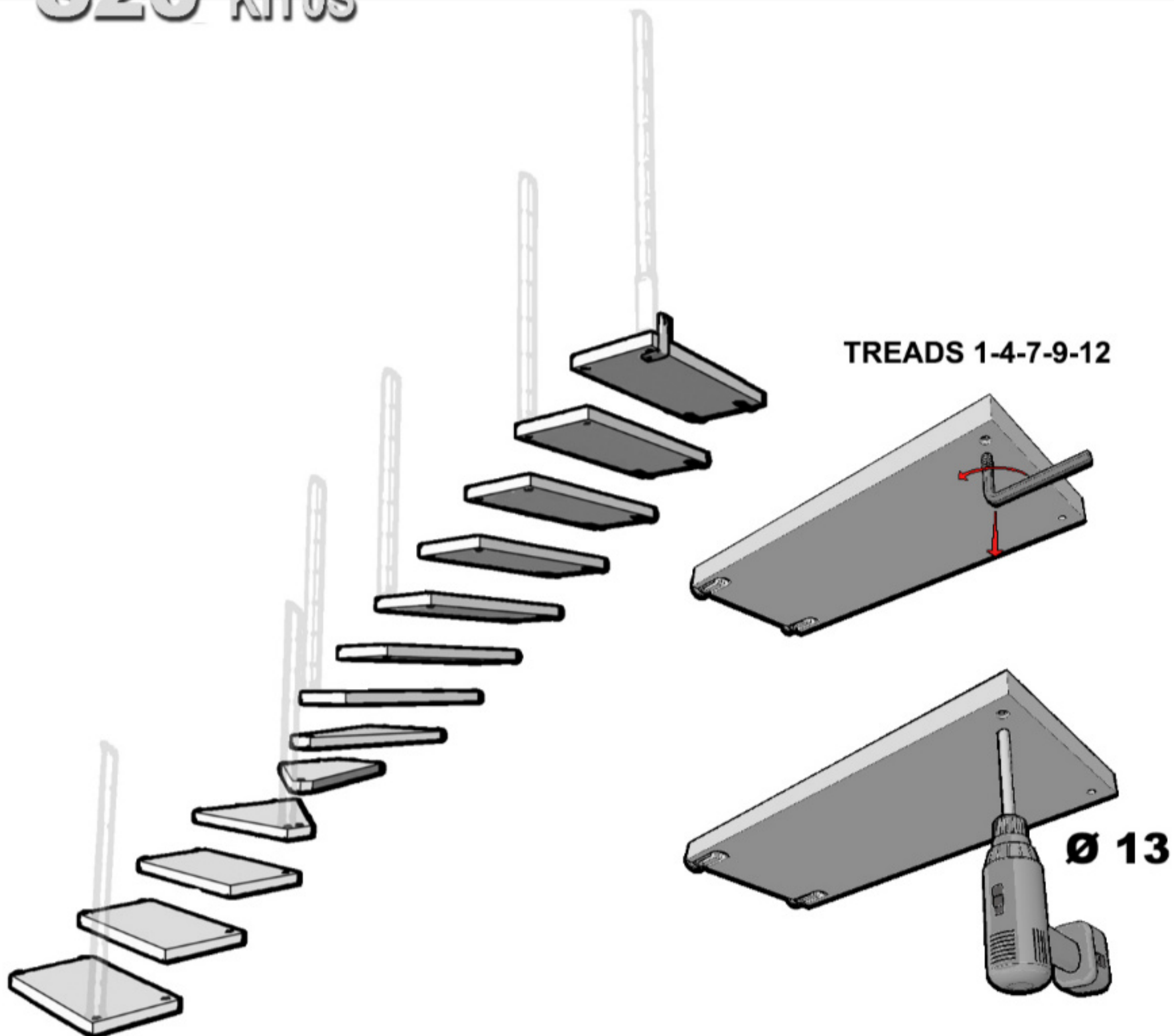


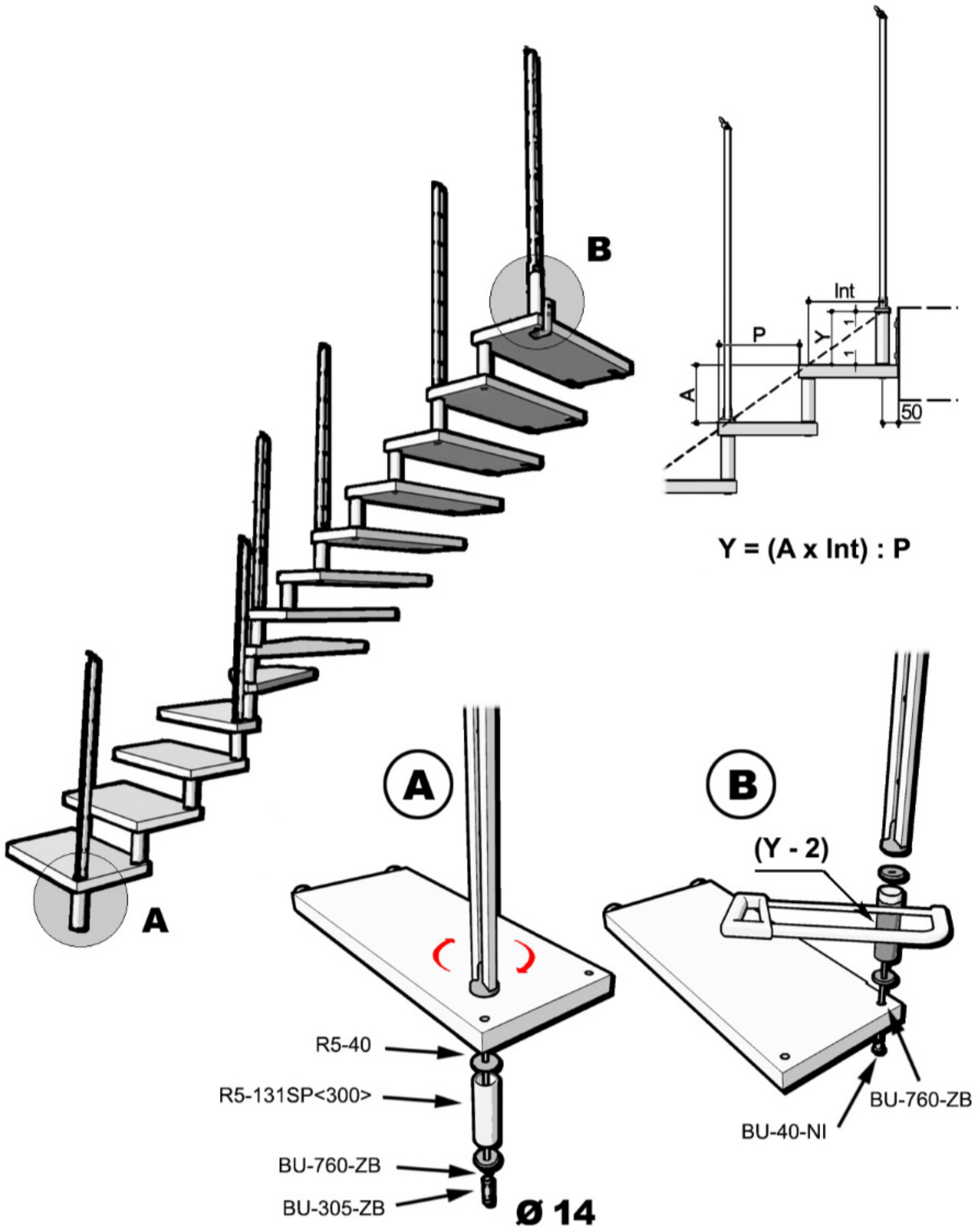


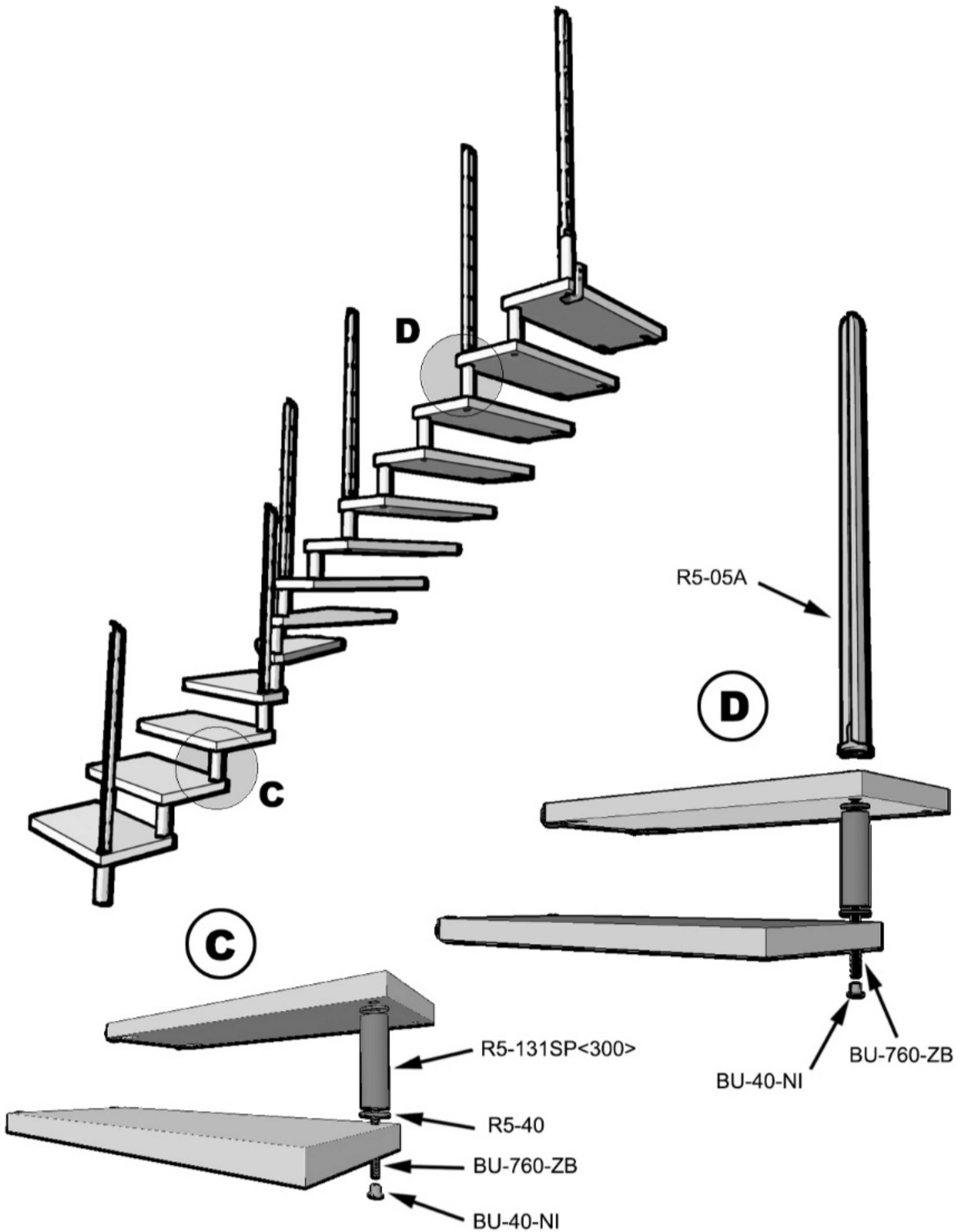
**NB: If the fixing with the wall plug does not fit your type of wall, it is MANDATORY to either use another type of plug that is correct or use a plug with "CHEMICAL ANCHORING".**

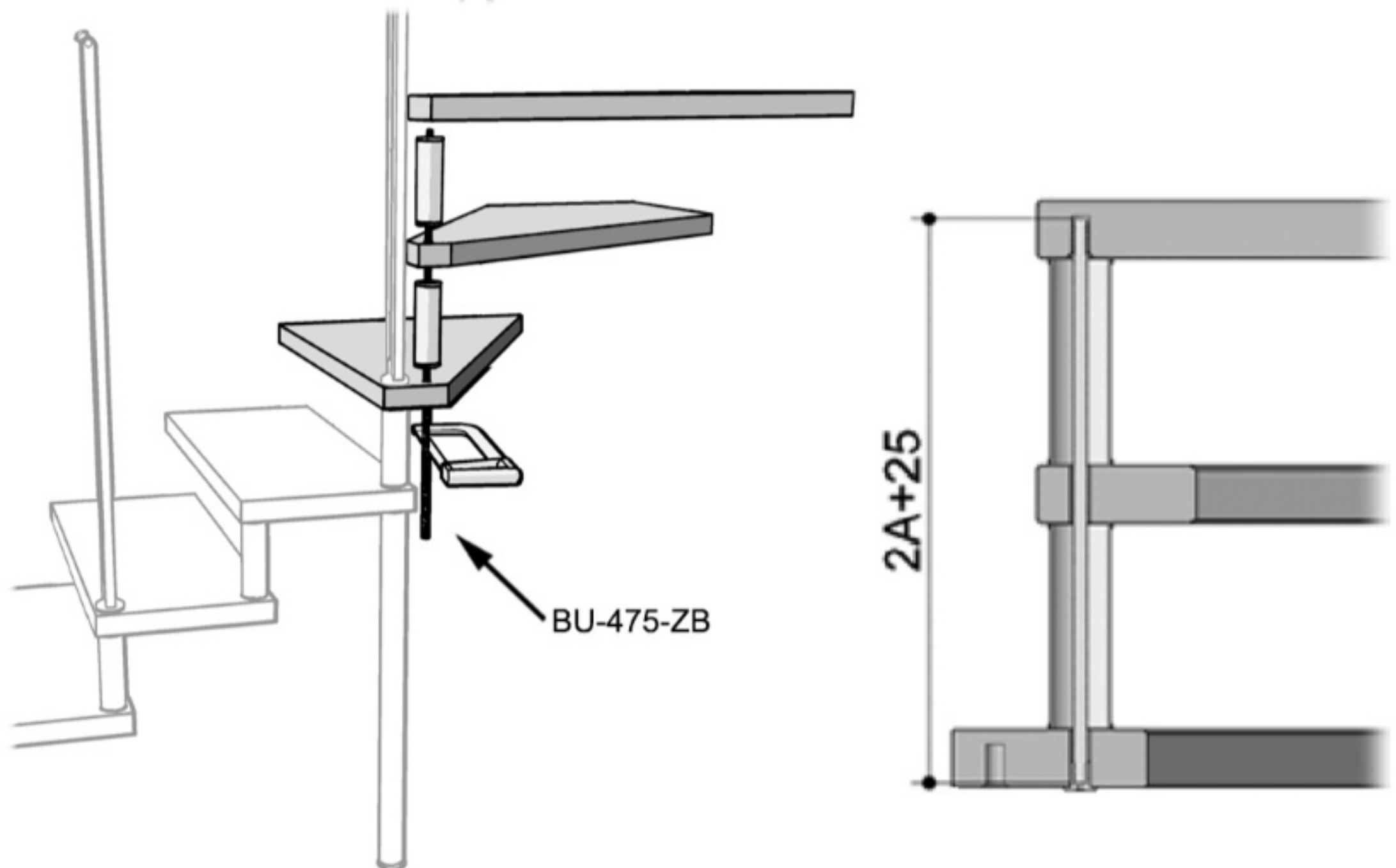
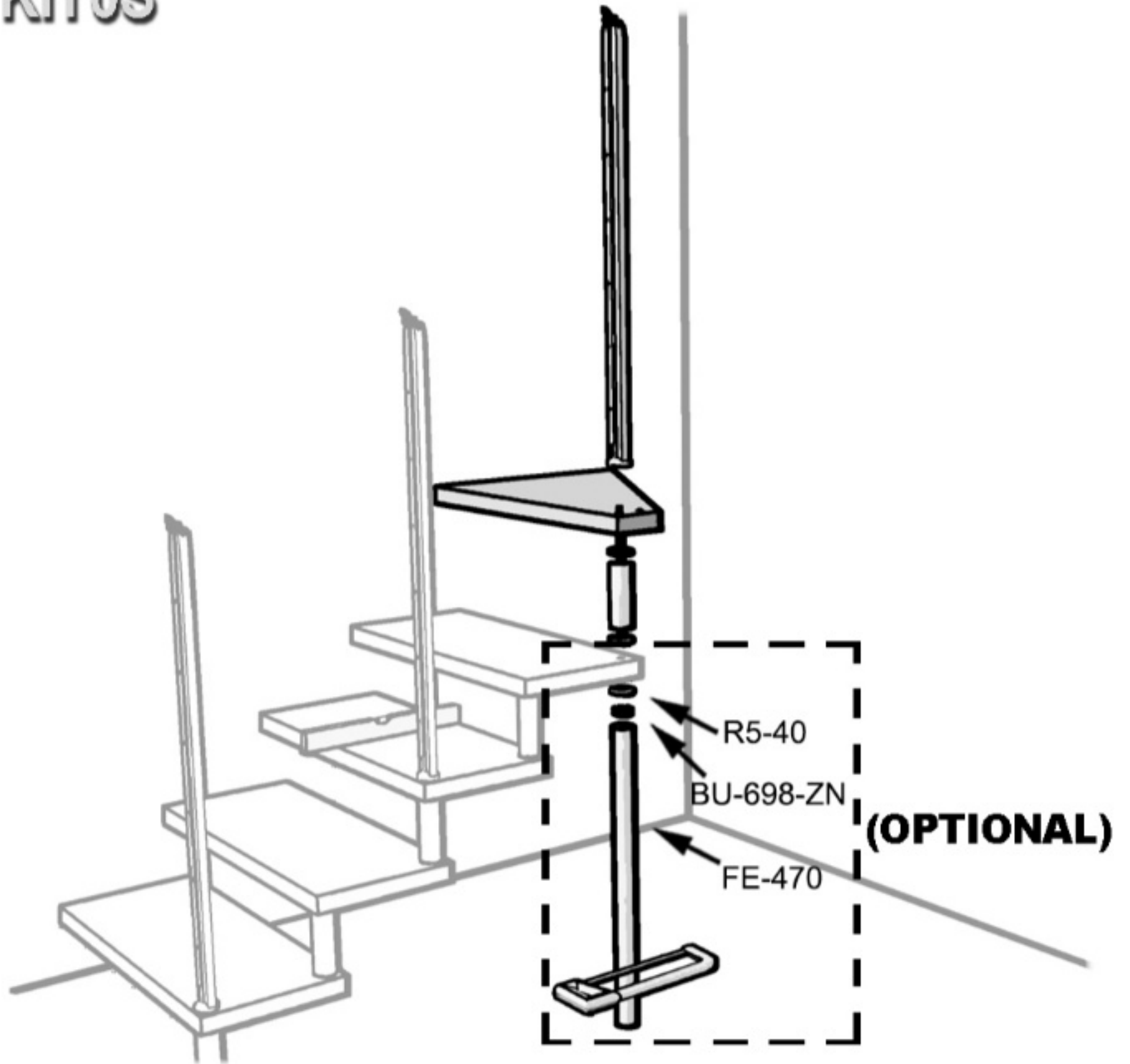


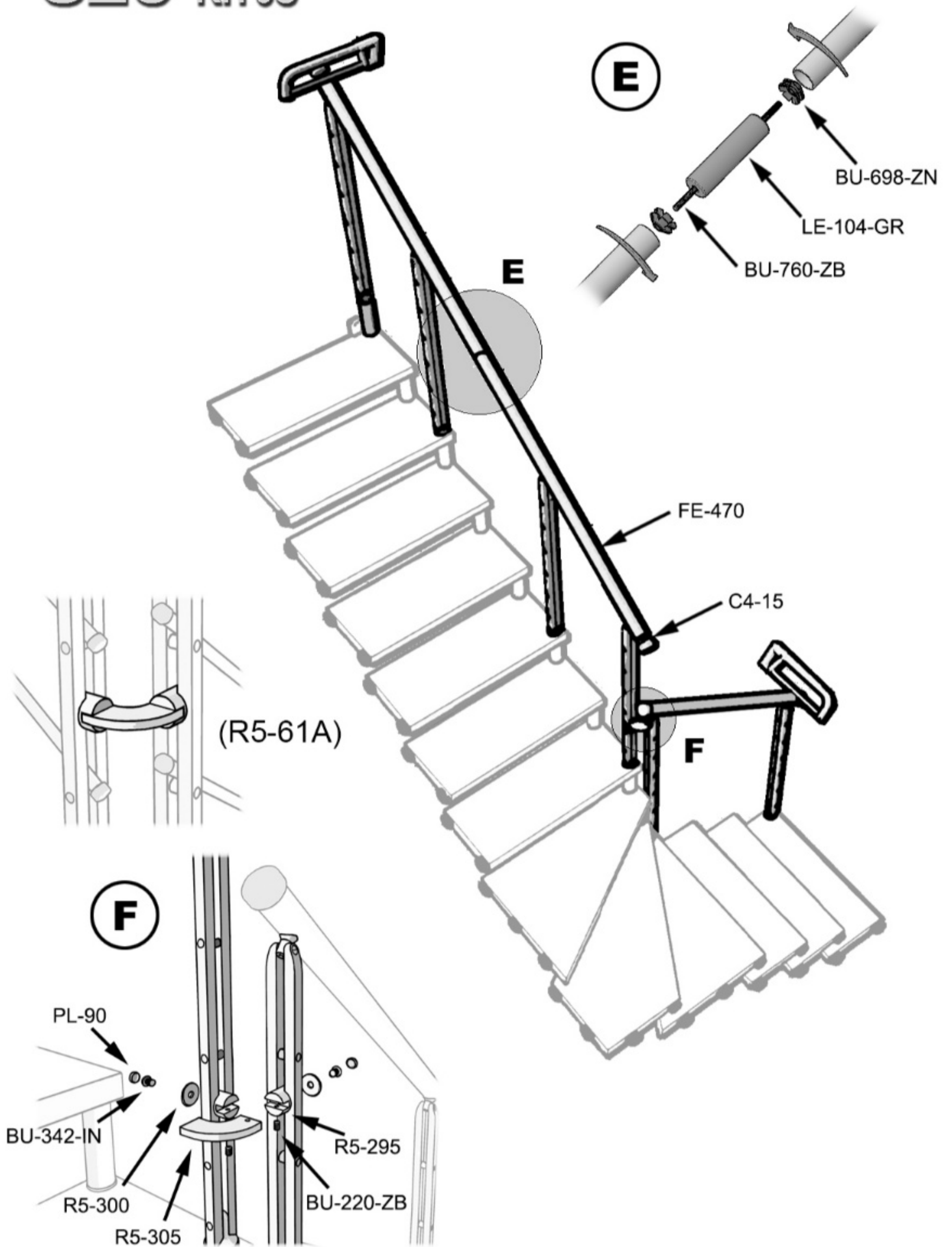


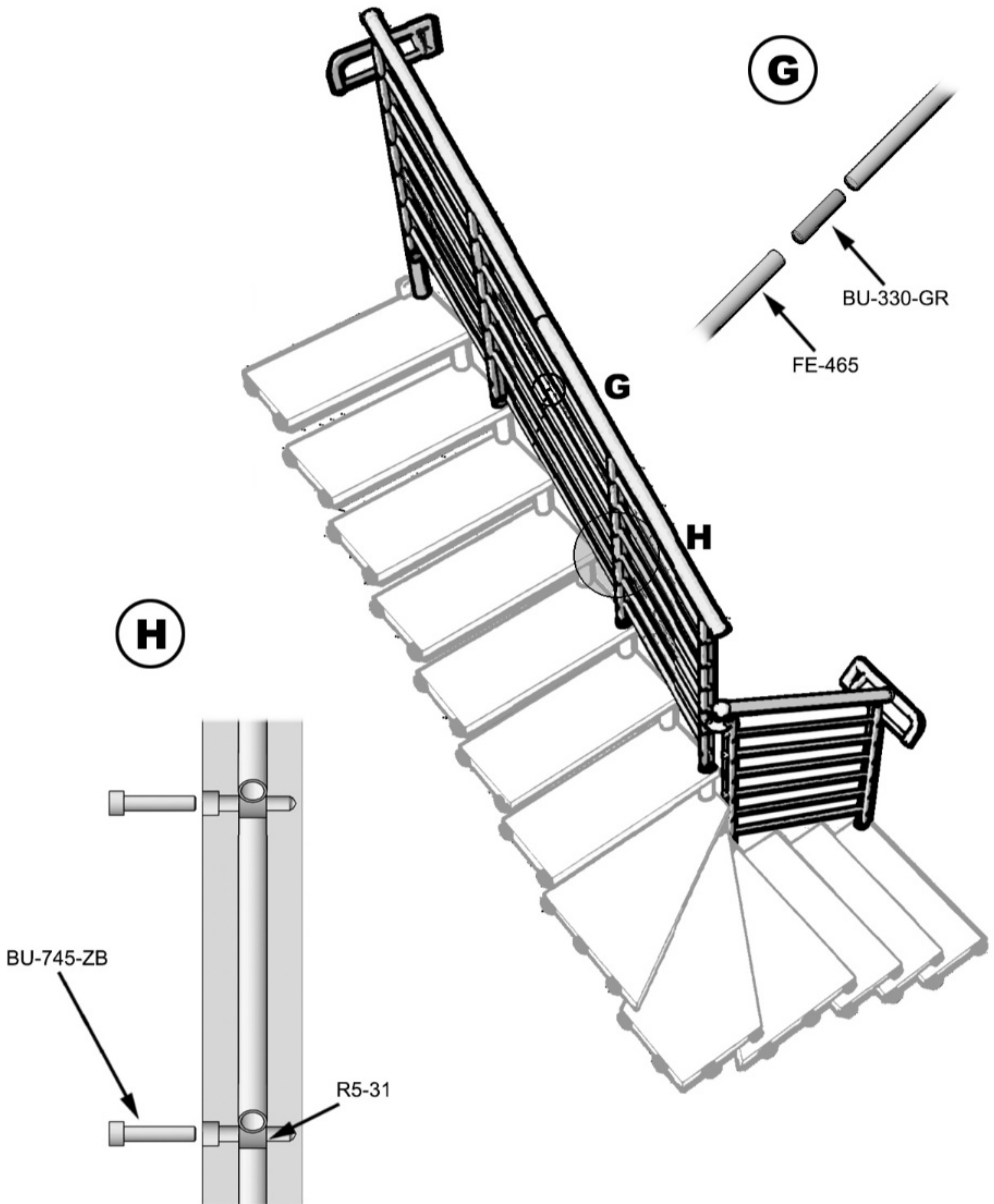


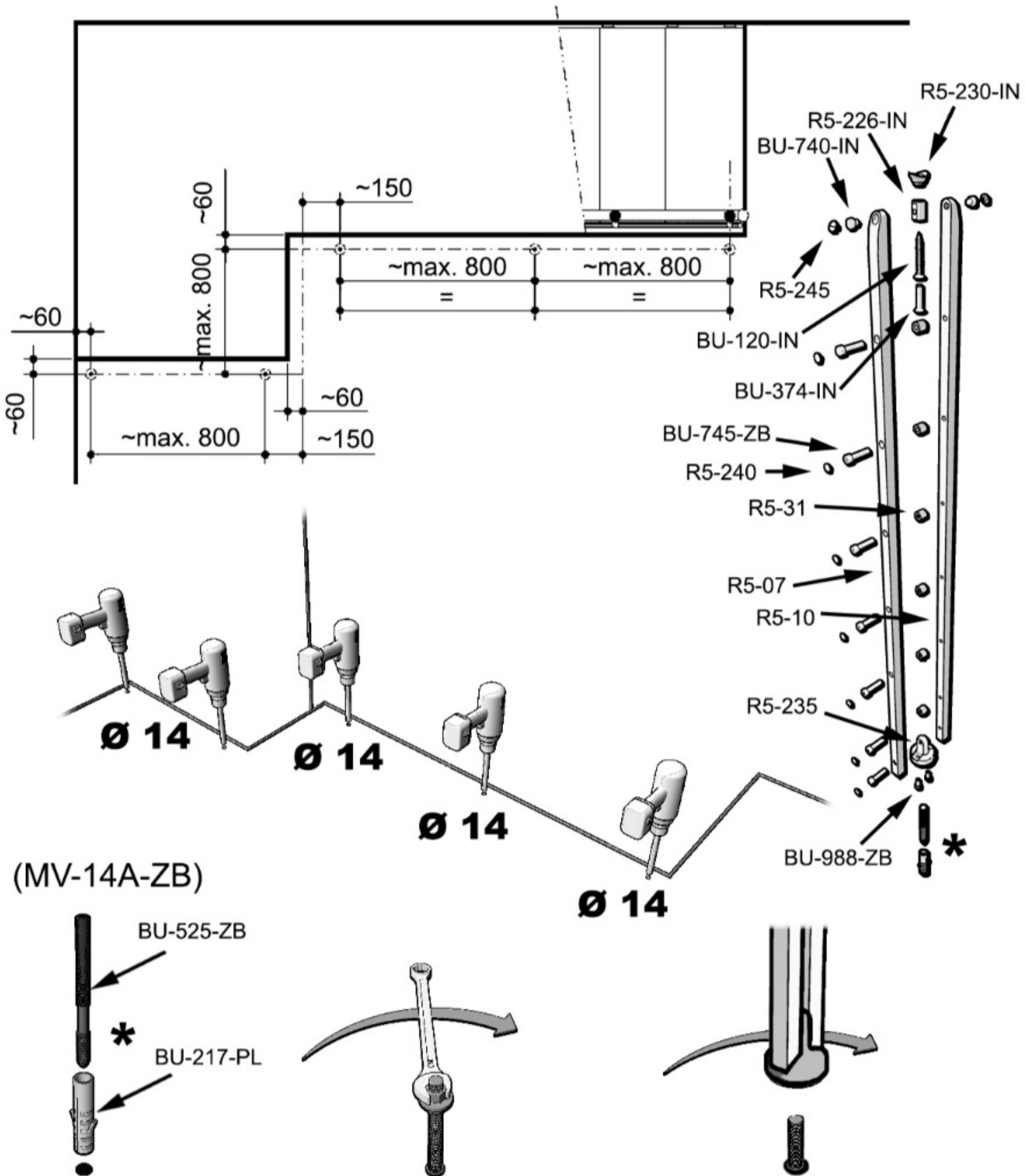












# S20 KITOS

